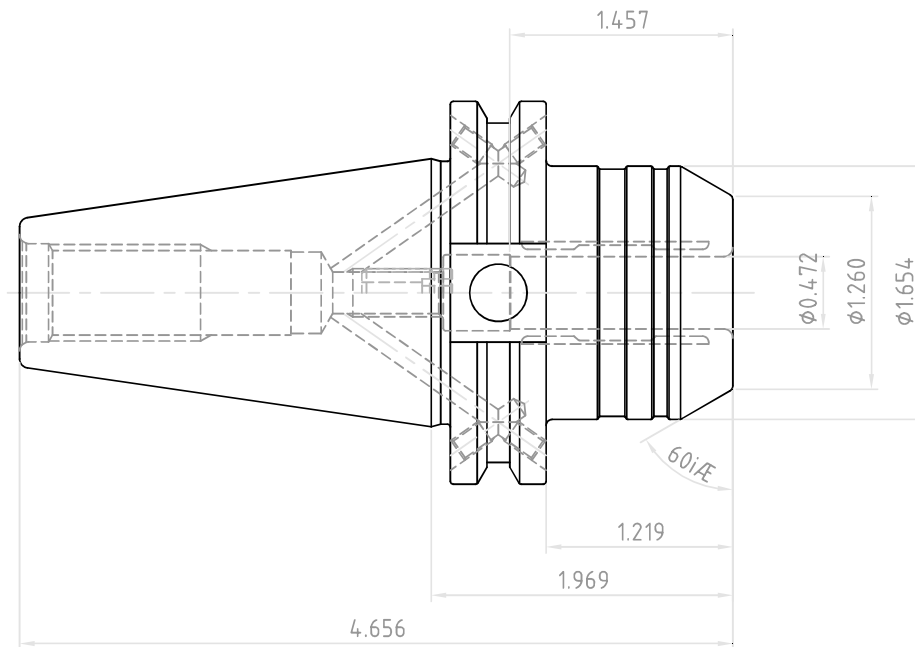



NO.	REVISIONS	DATE	DEVISER
1.			
2.			
3.			



 YG-1 CO., LTD.	DESCRIPTION		
	CAT40AD/B-HC0.47S(12)-1.97(50)		
	EDP No.	WK100SNR	SCALE 1 : 1