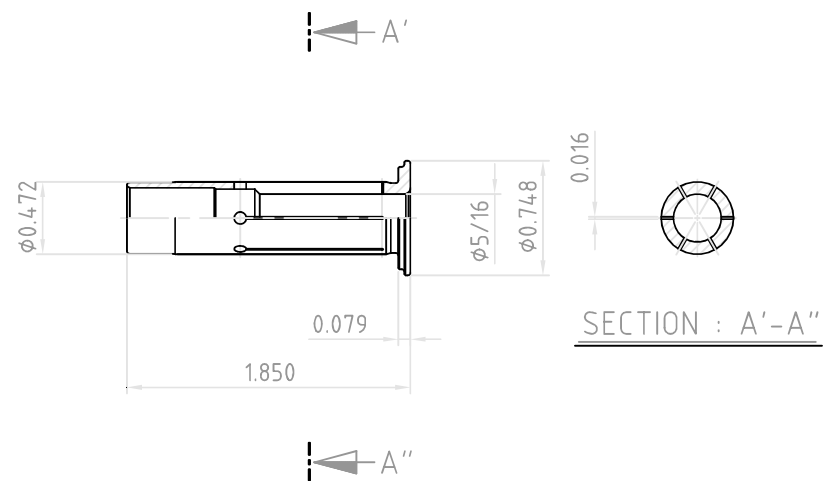



NO.	REVISIONS	DATE	DEVISER
1.			
2.			
3.			



 YG-1 CO., LTD.	DESCRIPTION		
	HS12- $\phi 5/16$ (7.93)		
	EDP No.	512516	SCALE 1 : 1