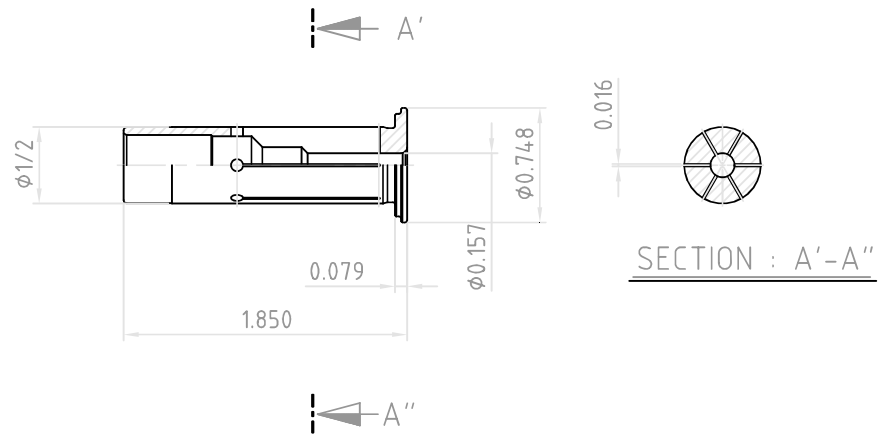



NO.	REVISIONS	DATE	DEVISER
1.			
2.			
3.			



 YG-1 CO., LTD.	DESCRIPTION	
	HS1/2(12.7)- $\phi 4$	
EDP No.	111204	SCALE 1 : 1