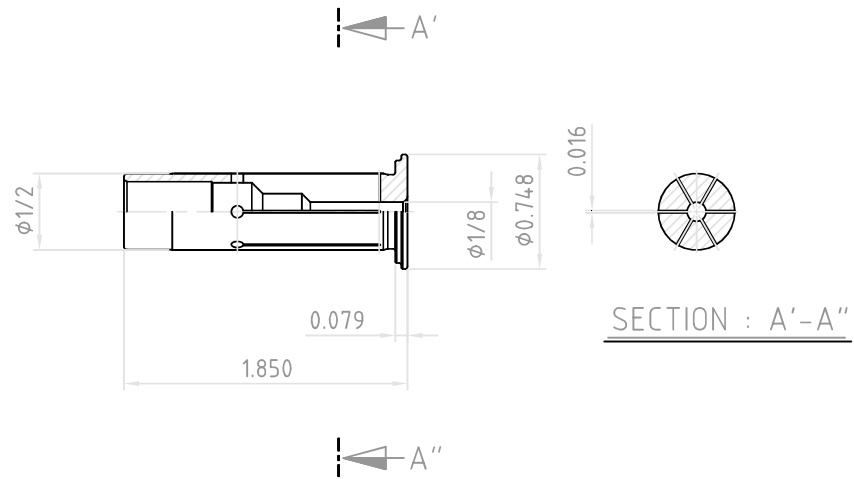



NO.	REVISIONS	DATE	DEVISER
1.			
2.			
3.			



 YG-1 CO., LTD.	DESCRIPTION	
	HS1/2(12.7)- ϕ 1/8(3.17)	
	EDP No.	712108
	SCALE	1 : 1