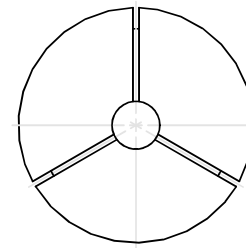
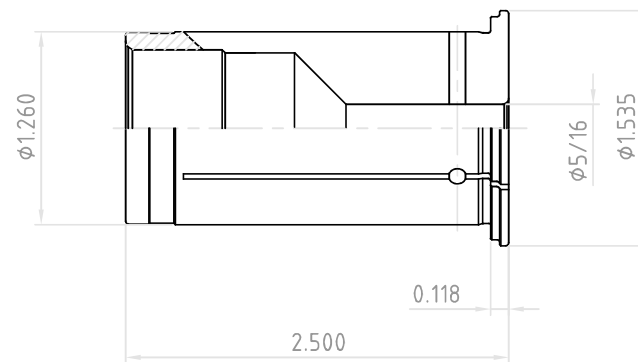


NO.	REVISIONS	DATE	DEVISER
1.			
2.			
3.			



 YG-1 CO., LTD.	DESCRIPTION		
	HK32-φ5/16(7.93)		
	EDP No.	432516	SCALE 1 : 1