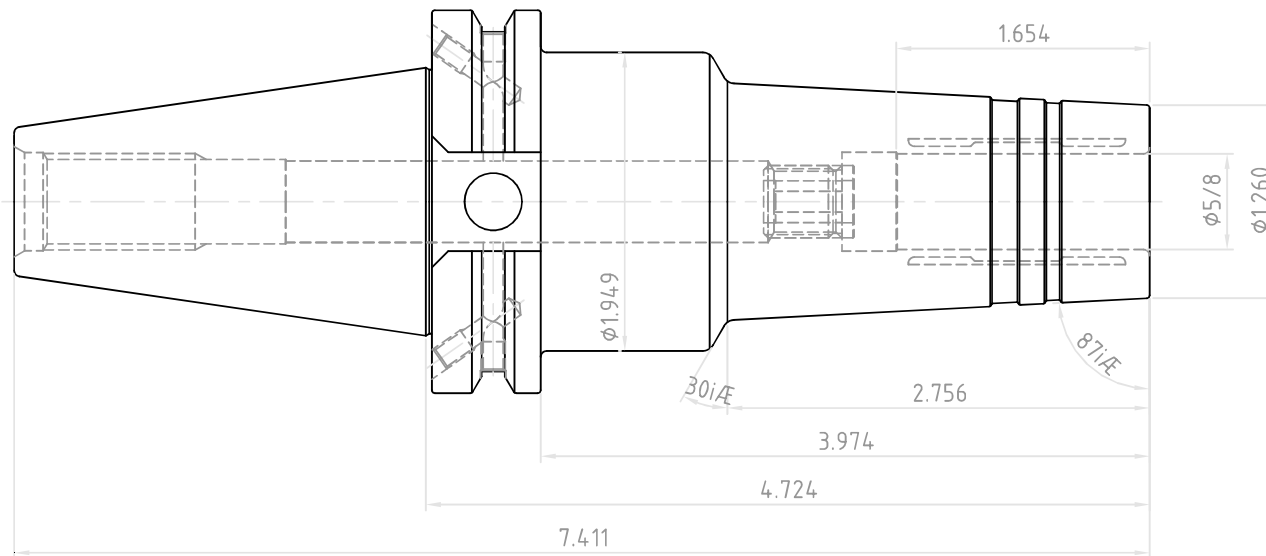



NO.	REVISIONS	DATE	DEVISER
1.			
2.			
3.			



 YG-1 CO., LTD.	DESCRIPTION	
	CCT40AD/B-HMC5/8(15.87)-4.72(120)	
EDP No.	WB036HMC	SCALE 1 : 1