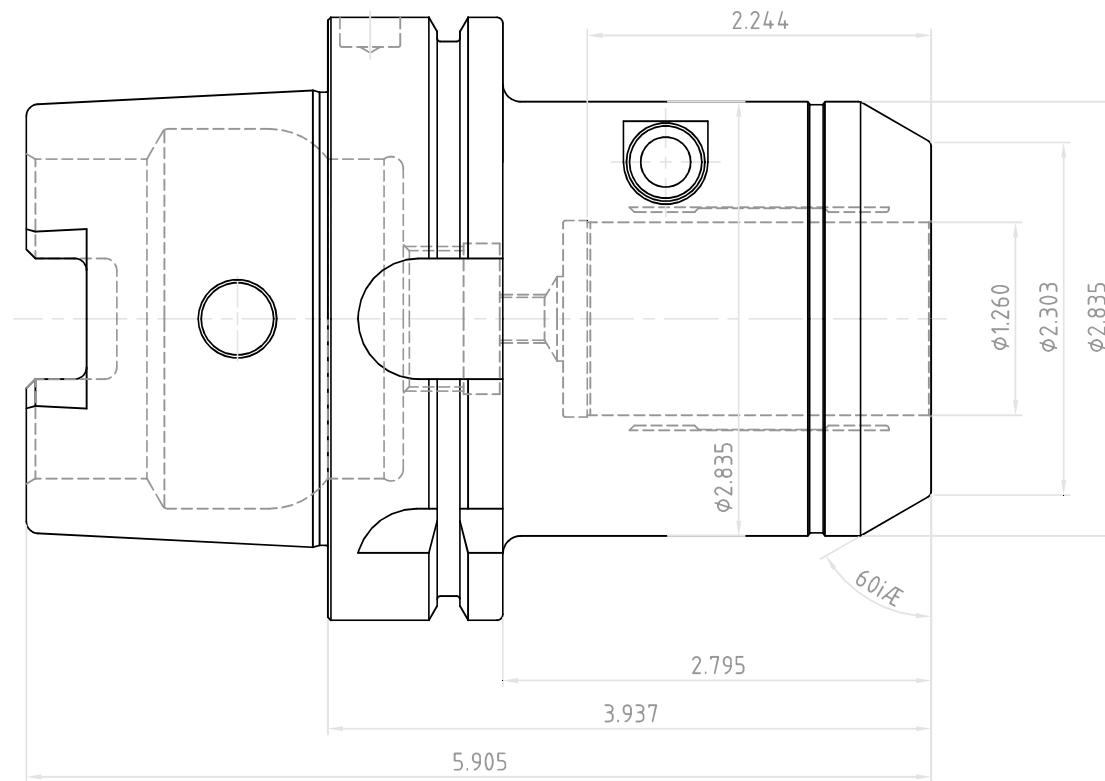



NO.	REVISIONS	DATE	DEVISER
1.			
2.			
3.			



 YG-1 CO., LTD.	DESCRIPTION	
	HSK100A-HC32P-100	
EDP No.	WR102PE	SCALE 1 : 1