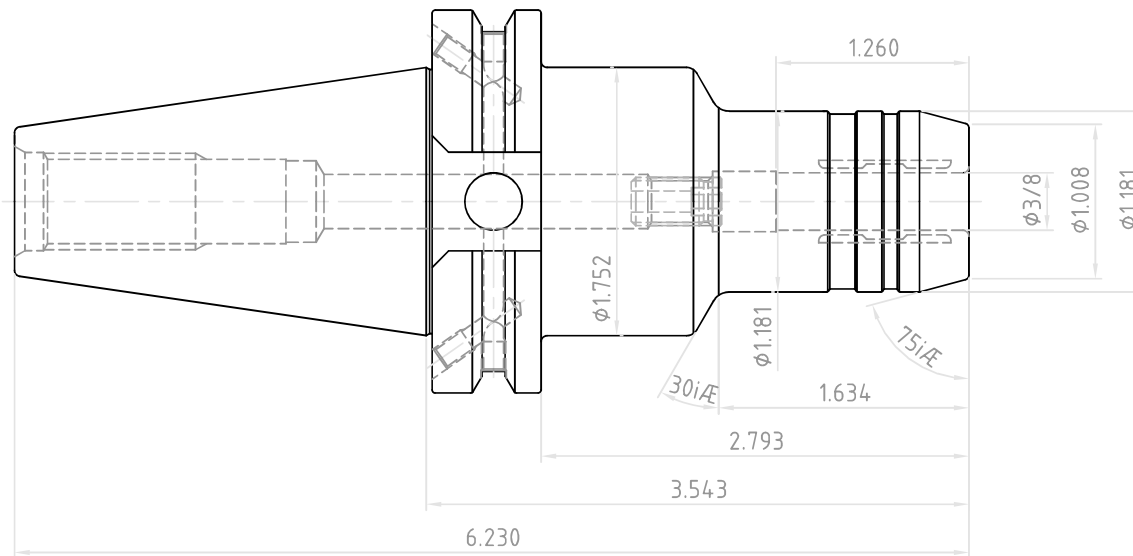



NO.	REVISIONS	DATE	DEVISER
1.			
2.			
3.			



 YG-1 CO., LTD.	DESCRIPTION		
	CCT40AD/B-HC3/8(9.52)-3.54(90)		
	EDP No.	WB024	SCALE 1 : 1