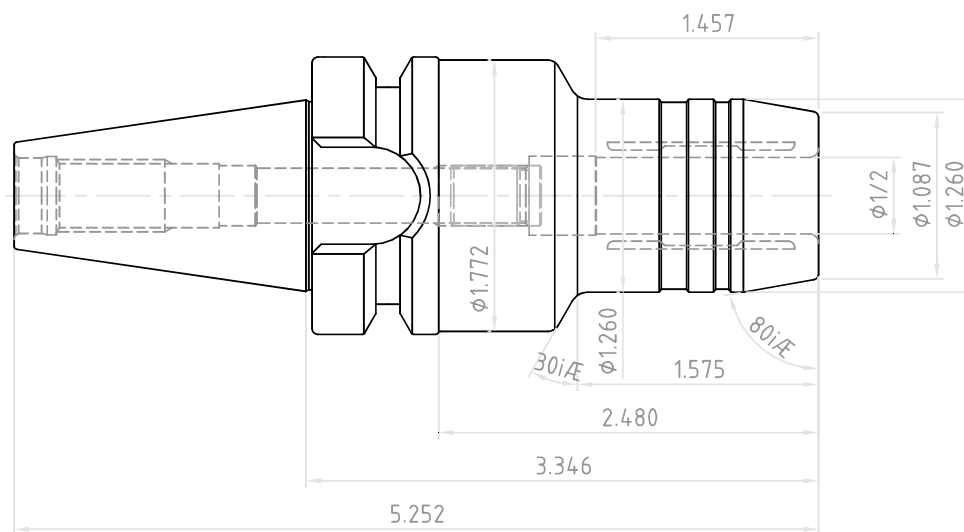



NO.	REVISIONS	DATE	DEVISER
1.			
2.			
3.			



 YG-1 CO., LTD.	DESCRIPTION		
	CBT30-HC1/2(12.7)-3.35(85)		
	EDP No.	WD026	SCALE 1 : 1