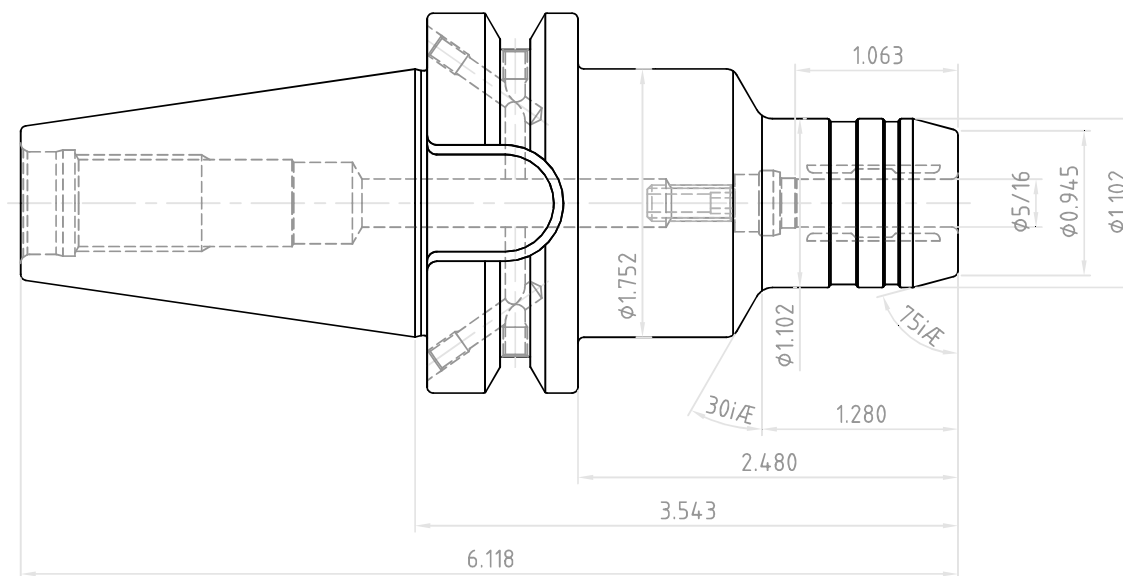



NO.	REVISIONS	DATE	DEVISER
1.			
2.			
3.			



 YG-1 CO., LTD.	DESCRIPTION		
	BT40AD/B-HC5/16(7.9375)-3.54(90)		
	EDP No.	WH022	SCALE 1 : 1