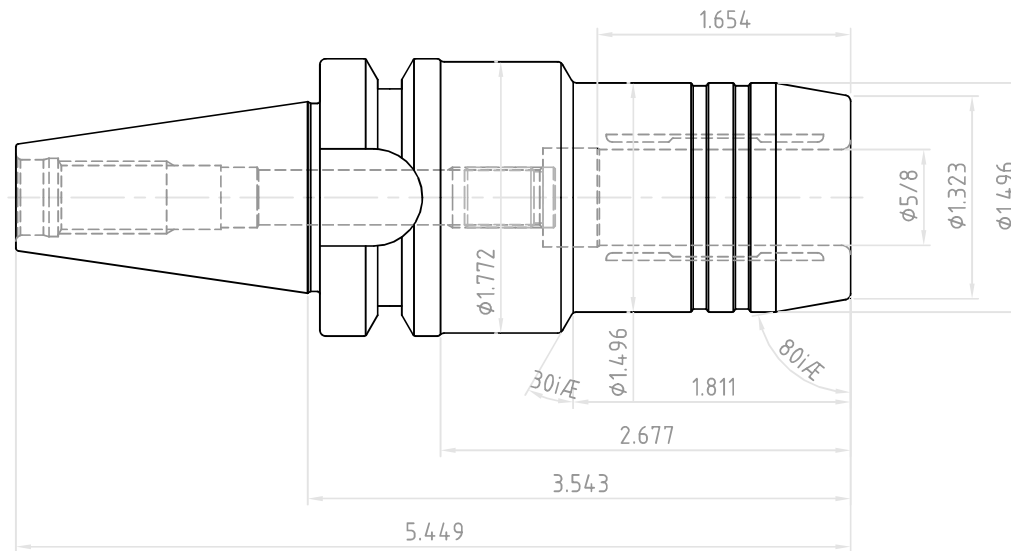



NO.	REVISIONS	DATE	DEVISER
1.			
2.			
3.			



 YG-1 CO., LTD.	DESCRIPTION		
	BT30-HC5/8(15.875)-3.54(90)		
	EDP No.	WG028	SCALE 1 : 1