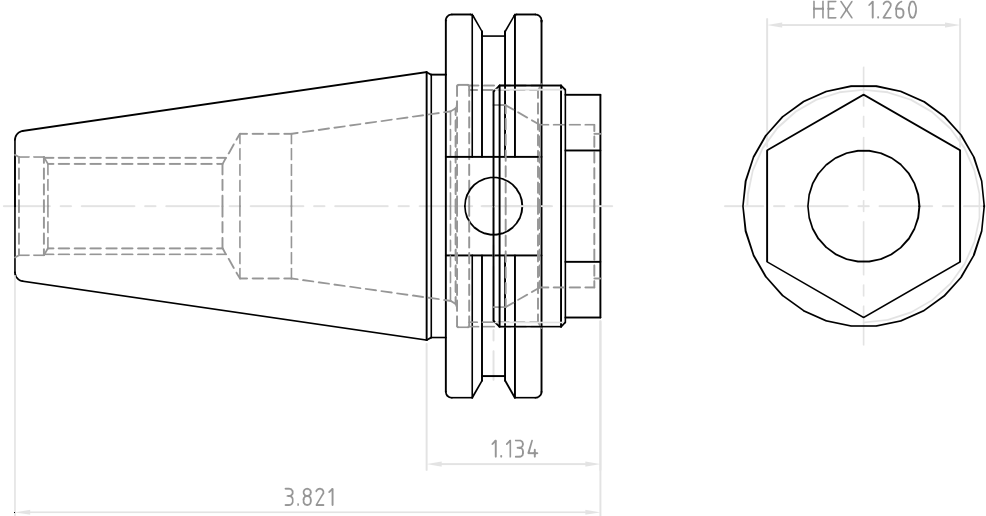



NO.	REVISIONS	DATE	DEVISER
1.			
2.			
3.			



 YG-1 CO., LTD.	DESCRIPTION		
	CAT40-ER32-SHORT		
	EDP No.	BK020SHT	SCALE 1 : 1