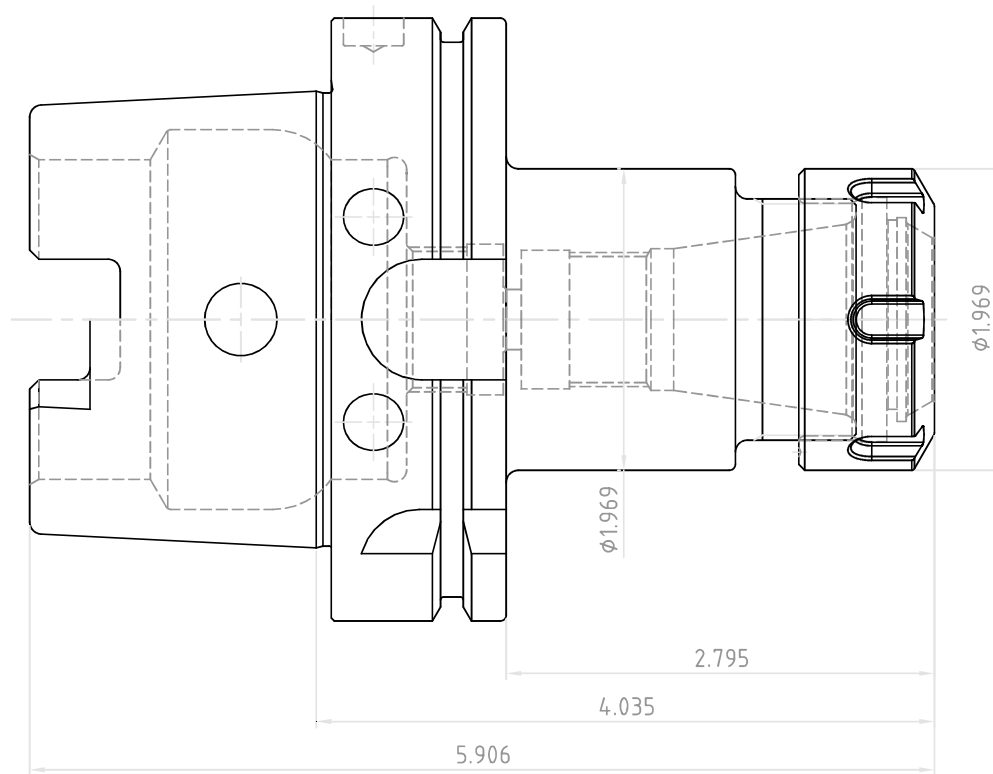



NO.	REVISIONS	DATE	DEVISER
1.			
2.			
3.			



 YG-1 CO., LTD.	DESCRIPTION		
	HSK100A-ER32-3.94(100)-PB25		
	EDP No.	BR016	SCALE 1 : 1