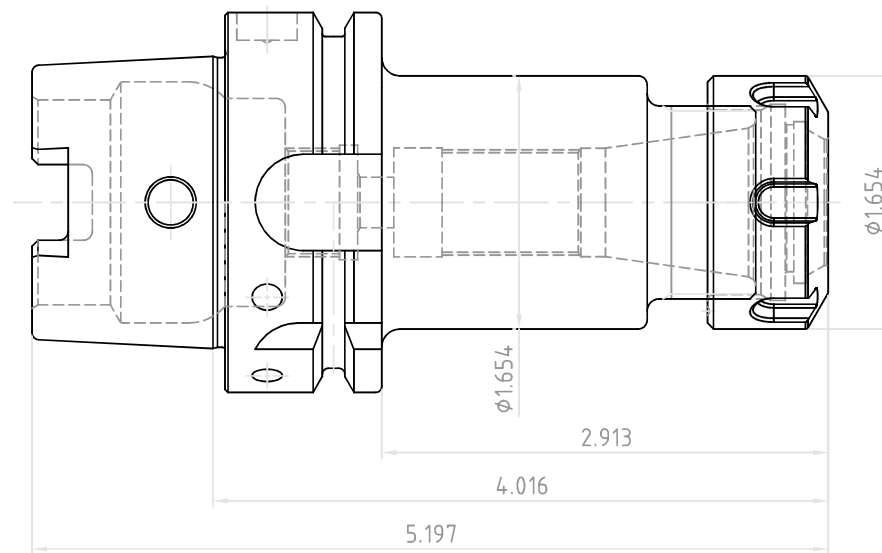


| NO. | REVISIONS | DATE | DEVISER |
|-----|-----------|------|---------|
| 1.  |           |      |         |
| 2.  |           |      |         |
| 3.  |           |      |         |



|  |                            |       |             |
|--|----------------------------|-------|-------------|
|  YG-1 CO., LTD. | DESCRIPTION                |       |             |
|  | HSK63A-ER25-3.94(100)-PB25 |       |             |
|  | EDP No.                    | BQ014 | SCALE 1 : 1 |