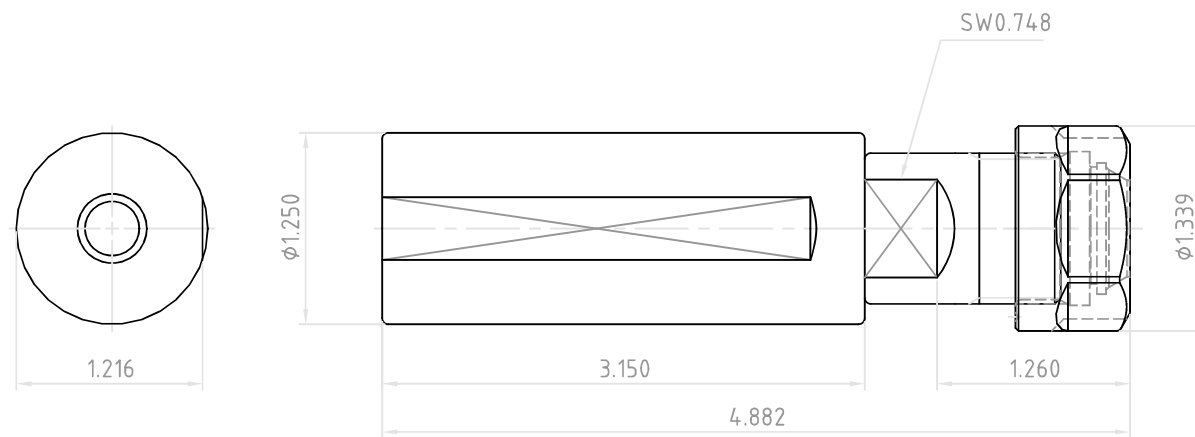


NO.	REVISIONS	DATE	DEVISER
1.			
2.			
3.			



 YG-1 CO., LTD.	DESCRIPTION		
	K31.75(1.25)-ERT20-3.15(80)		
EDP No.	BS113	SCALE	1 : 1