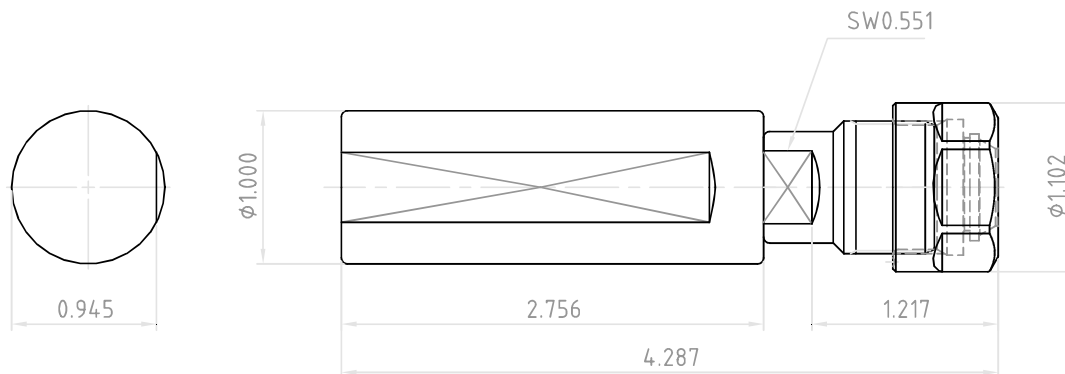



NO.	REVISIONS	DATE	DEVISER
1.			
2.			
3.			



 YG-1 CO., LTD.	DESCRIPTION		
	K25.4(1)-ERT16-2.76(70)		
	EDP No.	BS110	SCALE 1 : 1