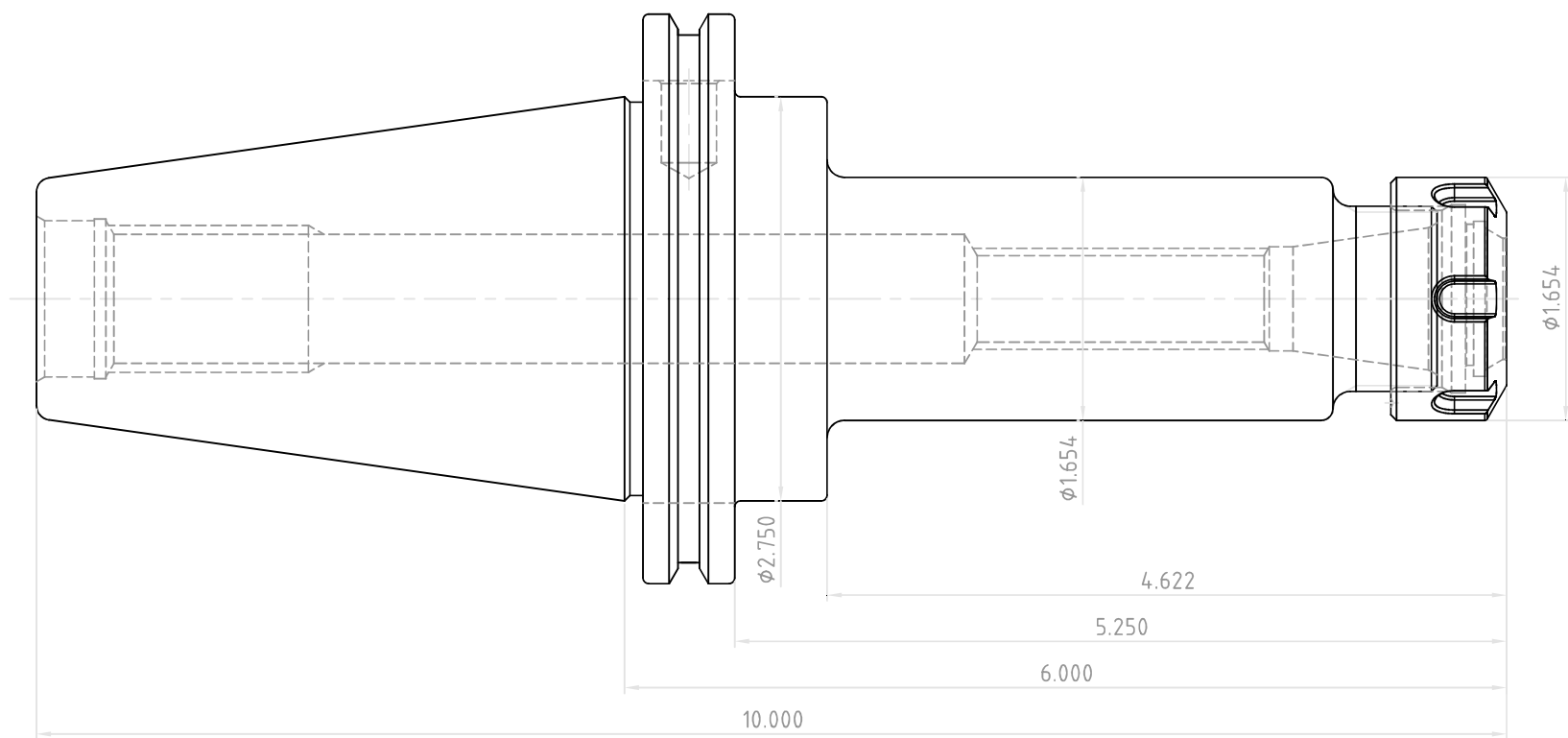



NO.	REVISIONS	DATE	DEVISER
1.			
2.			
3.			



 YG-1 CO., LTD.	DESCRIPTION		
	CAT50-ER25-6.00(152.4)		
EDP No.	BL333B25	SCALE	1 : 1