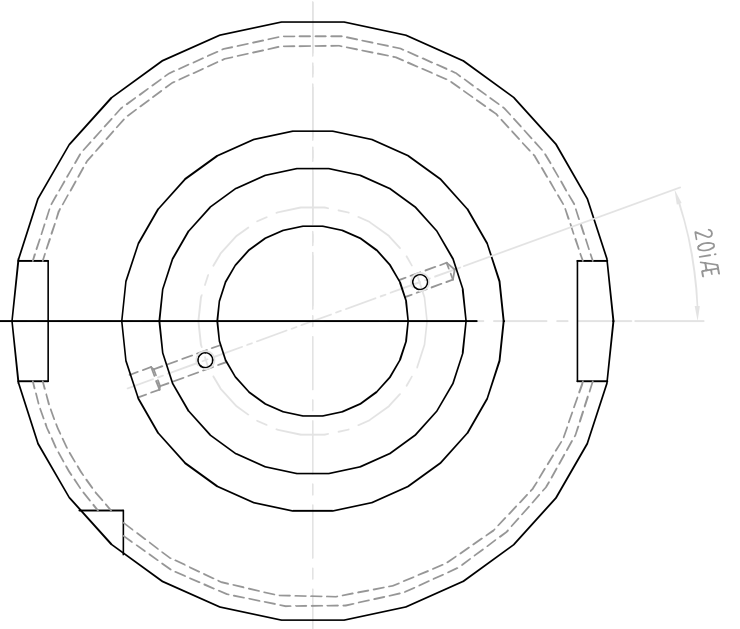
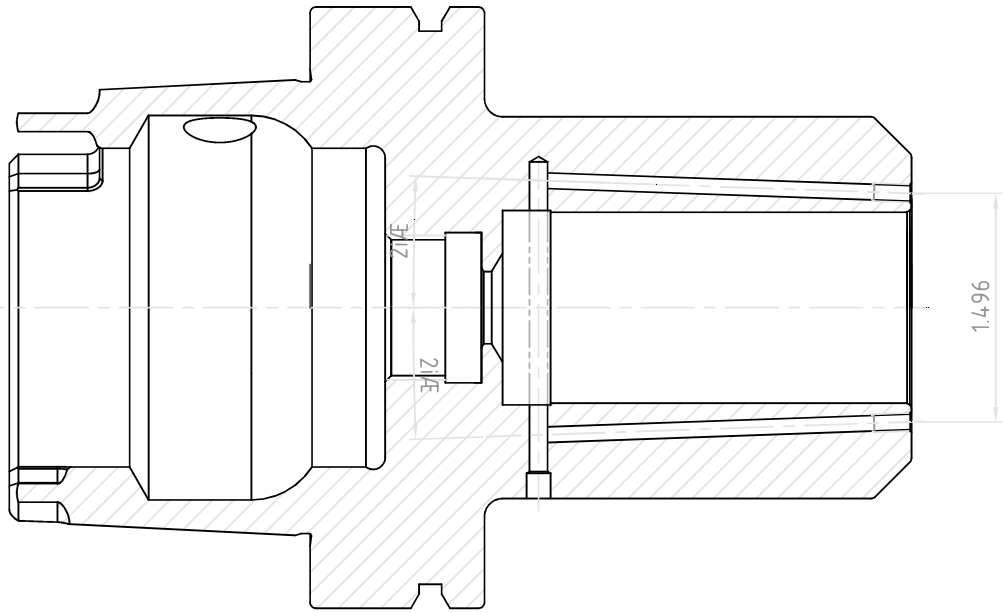



NO.	REVISIONS	DATE	DEVISER
1.			
2.			
3.			



 YG-1 CO., LTD.	DESCRIPTION		
	HSK100A-EMH1 1/4(31.75)C-3.94(100)		
EDP No.	AR034C	SCALE	1 : 1