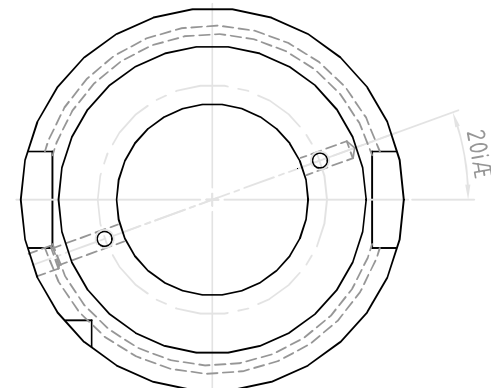
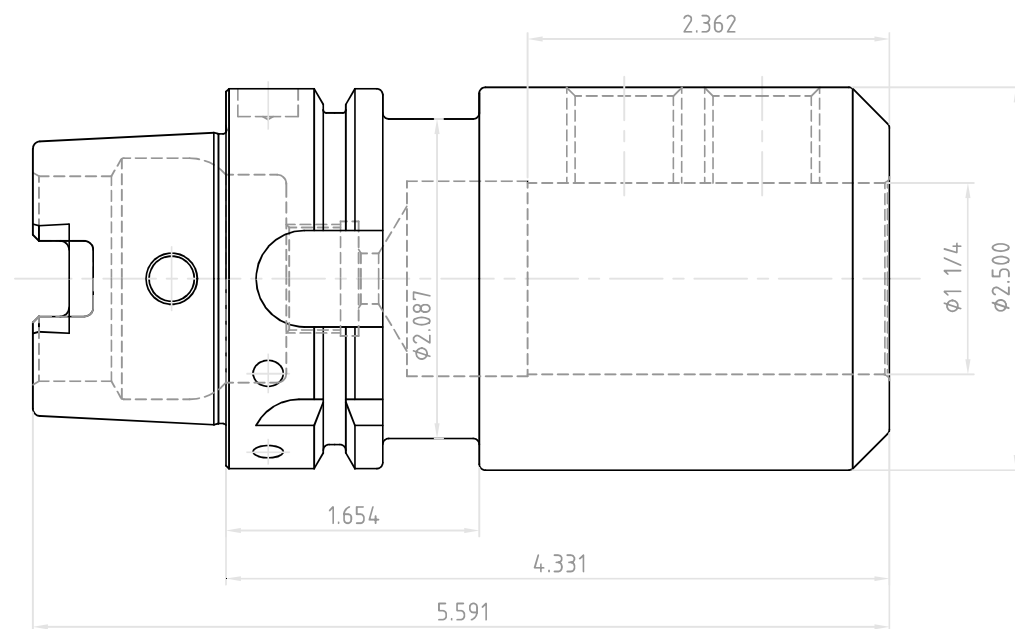
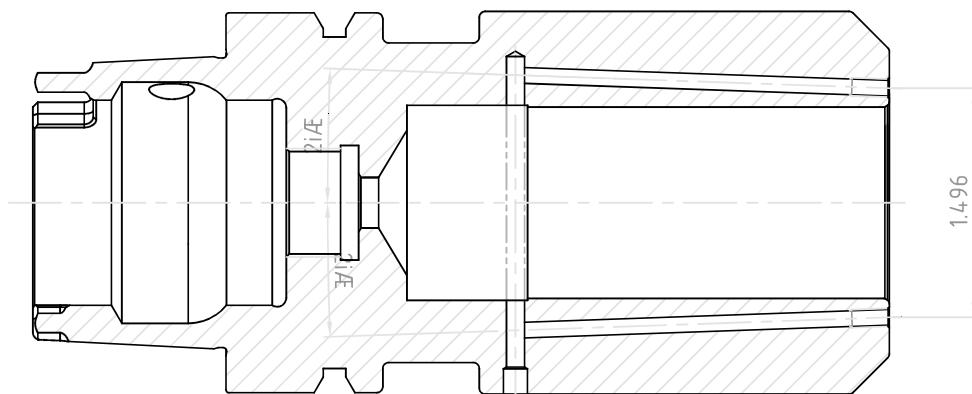


NO.	REVISIONS	DATE	DEVISER
1.			
2.			
3.			



 YG-1 CO., LTD.	DESCRIPTION		
	HSK63A-EMH1 1/4(31.75)C-4.33(110)		
	EDP No.	AQ034C	SCALE 1 : 1