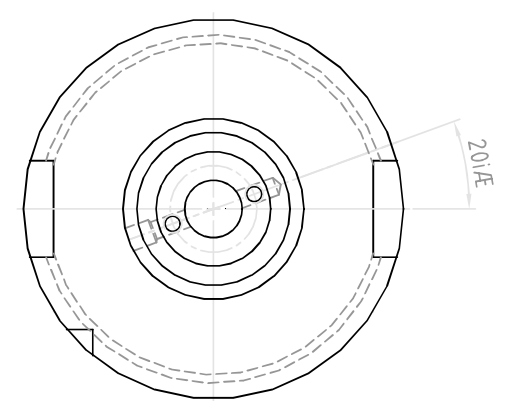
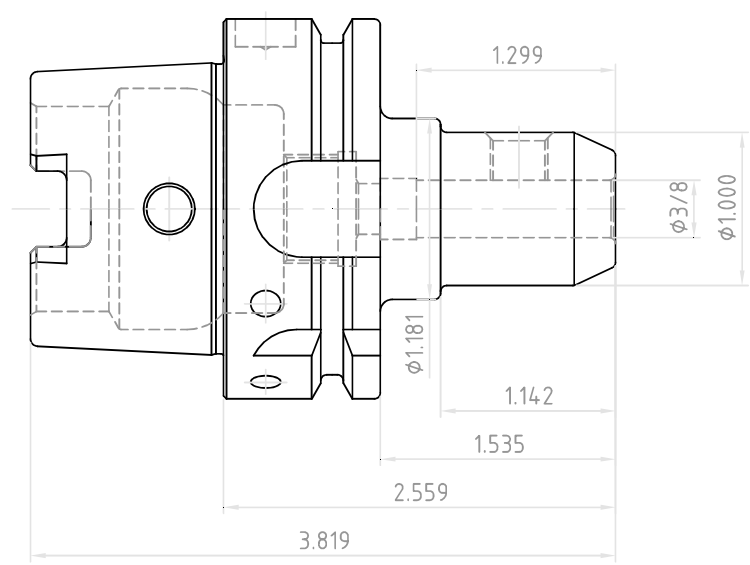
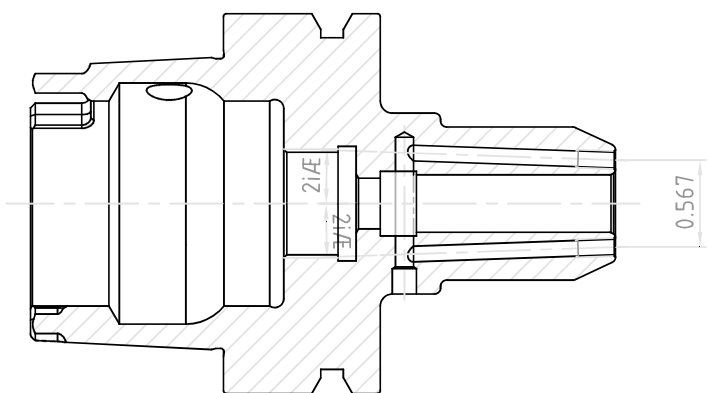



NO.	REVISIONS	DATE	DEVISER
1.			
2.			
3.			



 YG-1 CO., LTD.	DESCRIPTION		
	HSK63A-EMH3/8(9.52)C-2.56(65)		
	EDP No.	AQ024C	SCALE 1 : 1