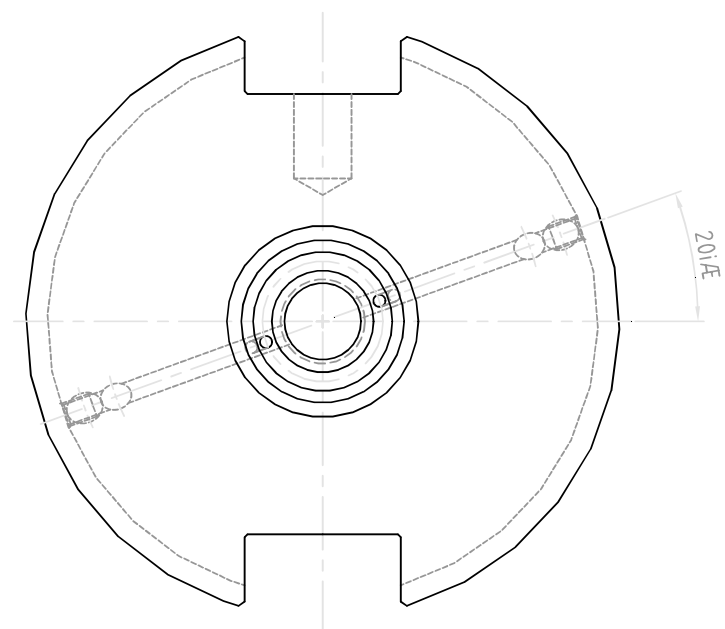
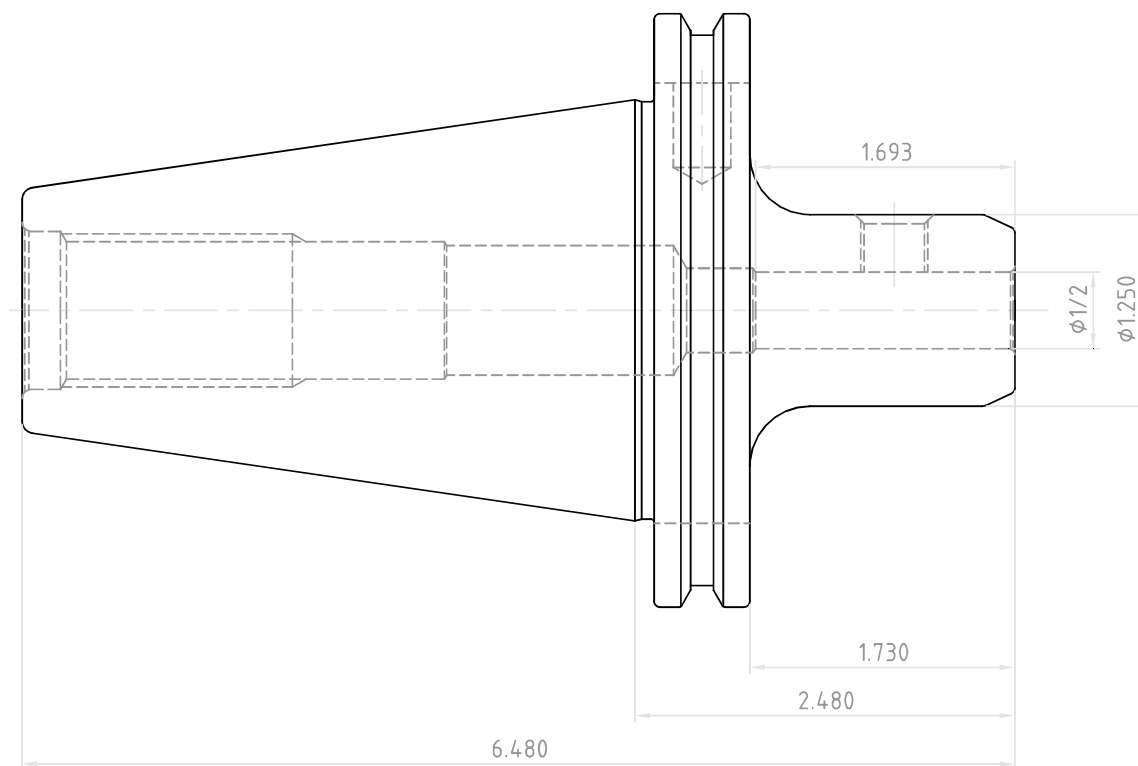
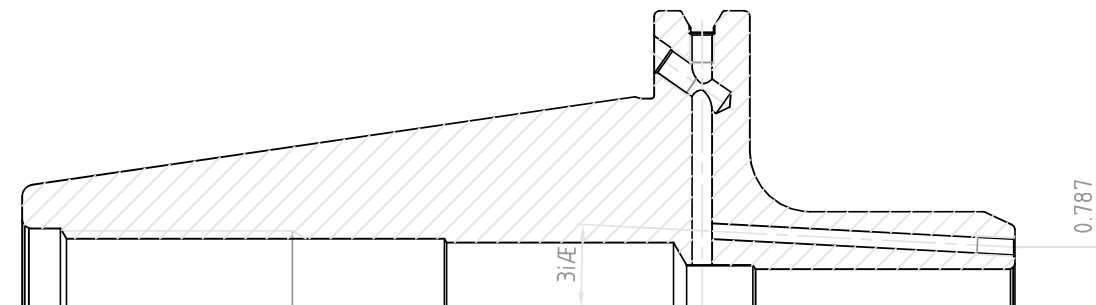



NO.	REVISIONS	DATE	DEVISER
1.			
2.			
3.			



 YG-1 CO., LTD.	DESCRIPTION		
	CAT50AD/B-EMH1/2(12.7)C-2.48(63)		
	EDP No.	AL005C	SCALE 1 : 1