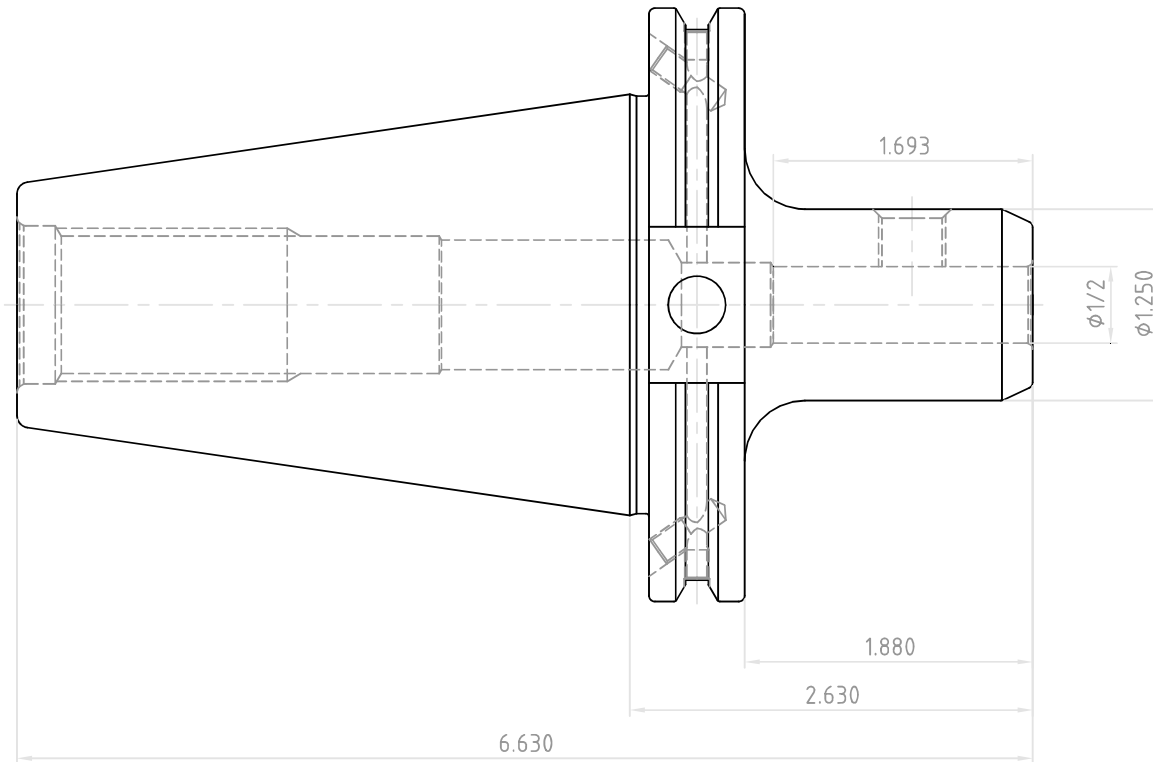



| NO. | REVISIONS | DATE | DEVISER |
|-----|-----------|------|---------|
| 1.  |           |      |         |
| 2.  |           |      |         |
| 3.  |           |      |         |



|  |                                   |             |
|--|-----------------------------------|-------------|
|  YG-1 CO., LTD. | DESCRIPTION                       |             |
|  | CAT50AD/B-EMH1/2(12.7)-2.63(66.8) |             |
| EDP No.  | AL006B                            | SCALE 1 : 1 |