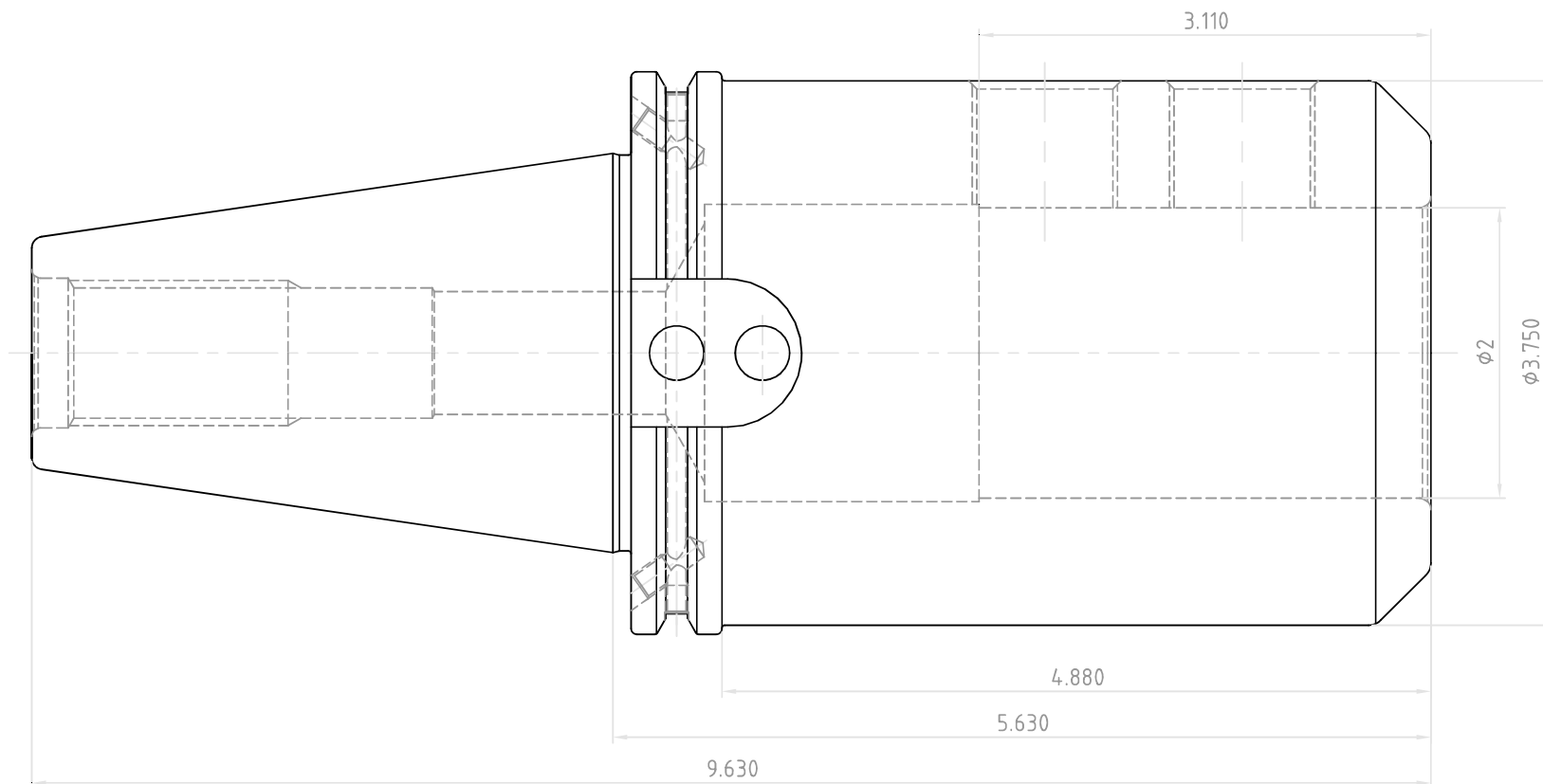


NO.	REVISIONS	DATE	DEVISER
1.			
2.			
3.			



 YG-1 CO., LTD.	DESCRIPTION		
	CAT50AD/B-EMH2(50.8)-5.63(143)		
	EDP No.	AL029B	SCALE 1 : 1