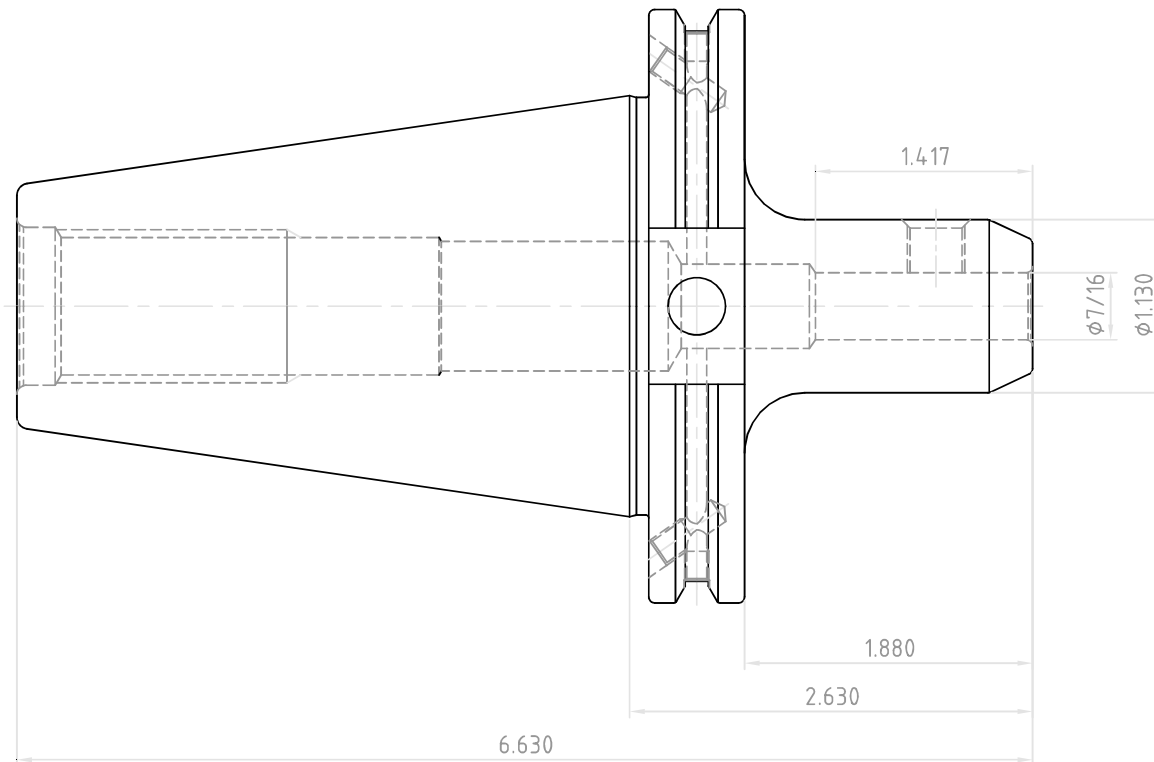



NO.	REVISIONS	DATE	DEVISER
1.			
2.			
3.			



 YG-1 CO., LTD.	DESCRIPTION		
	CAT50AD/B-EMH7/16(11.11)-2.63(66.8)		
EDP No.	AL005B	SCALE	1 : 1