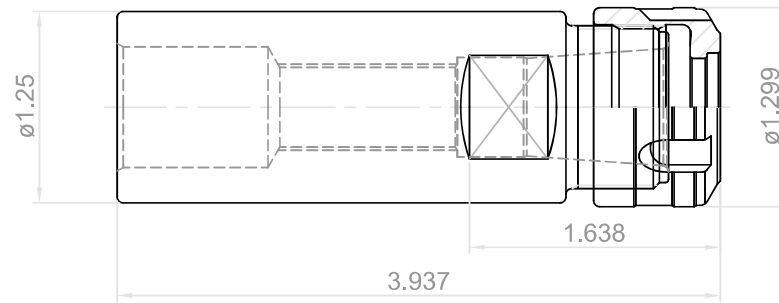


NO.	REVISIONS	DATE	DEVISER
1.			
2.			
3.			



 YG-1 CO., LTD.	DESCRIPTION	
	K1 1/4(31.75)-SKA13-3.94(100)	
EDP No.	TS042	SCALE 1 : 1