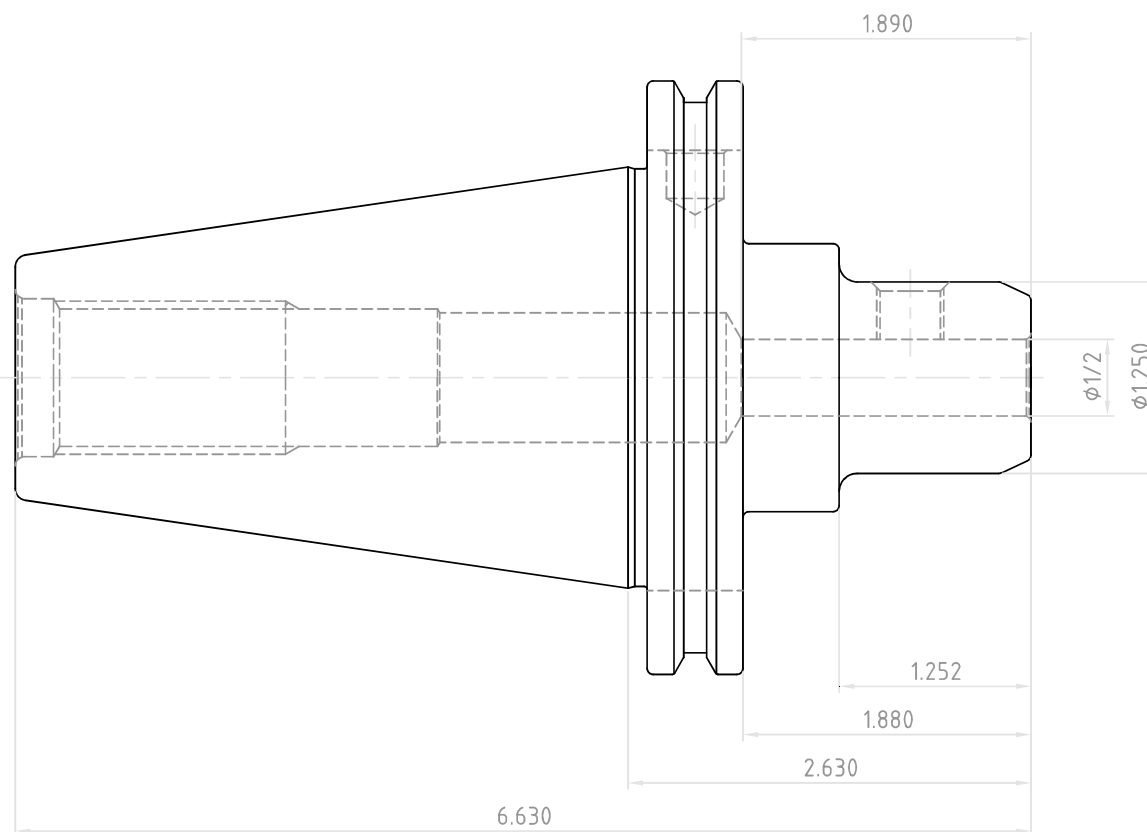


NO.	REVISIONS	DATE	DEVISER
1.			
2.			
3.			



 YG-1 CO., LTD.	DESCRIPTION		
	CAT50-EMH1/2(12.7)-2.63(66.8)		
	EDP No.	AL006B25	SCALE 1 : 1