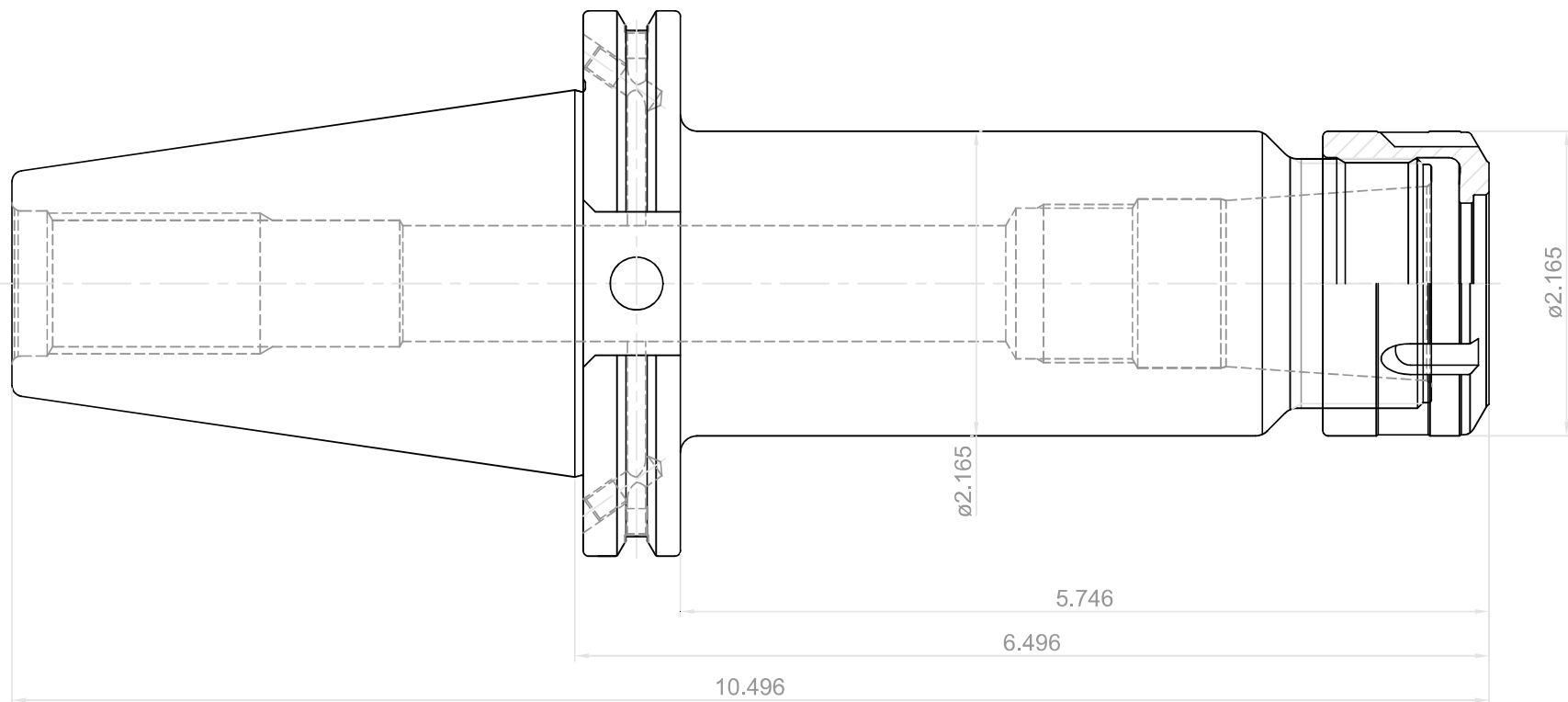


| NO. | REVISIONS | DATE | DEVISER |
|-----|-----------|------|---------|
| 1. | | | |
| 2. | | | |
| 3. | | | |



| | | |
|--|---------------------------|-------------|
|  YG-1 CO., LTD. | DESCRIPTION | |
| | CCT50AD/B-SKA25-6.50(165) | |
| EDP No. | TC042 | SCALE 1 : 1 |