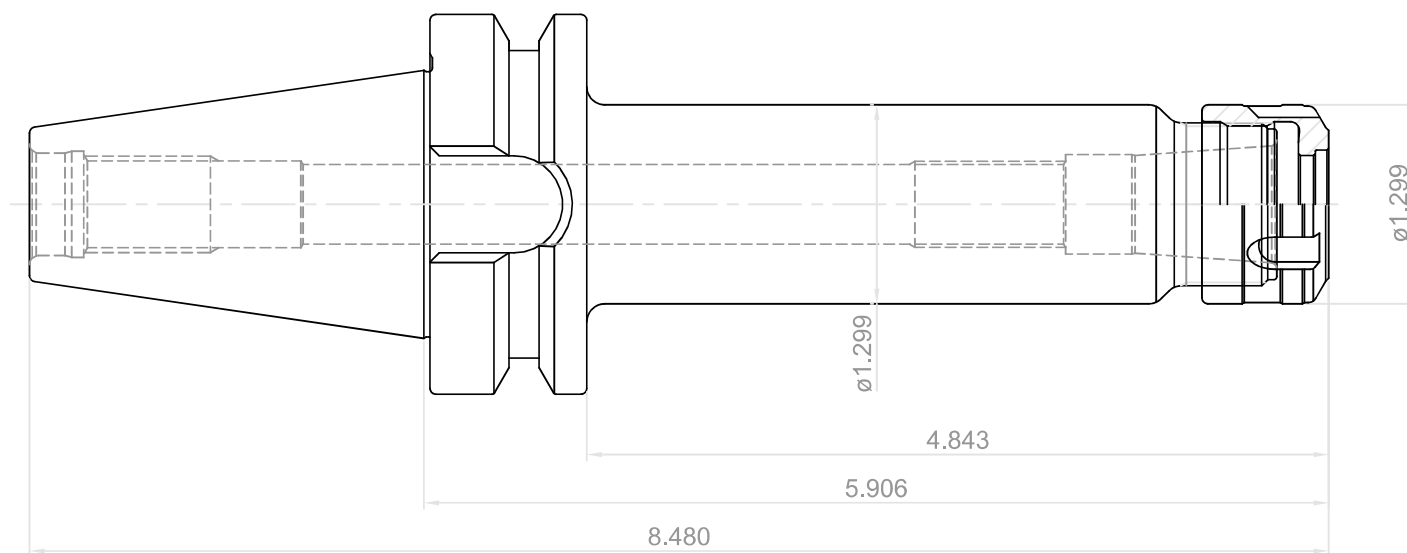



NO.	REVISIONS	DATE	DEVISER
1.			
2.			
3.			



 YG-1 CO., LTD.	DESCRIPTION	
	CBT40-SKA13-5.90(150)	
EDP No.	TE116	SCALE 1 : 1