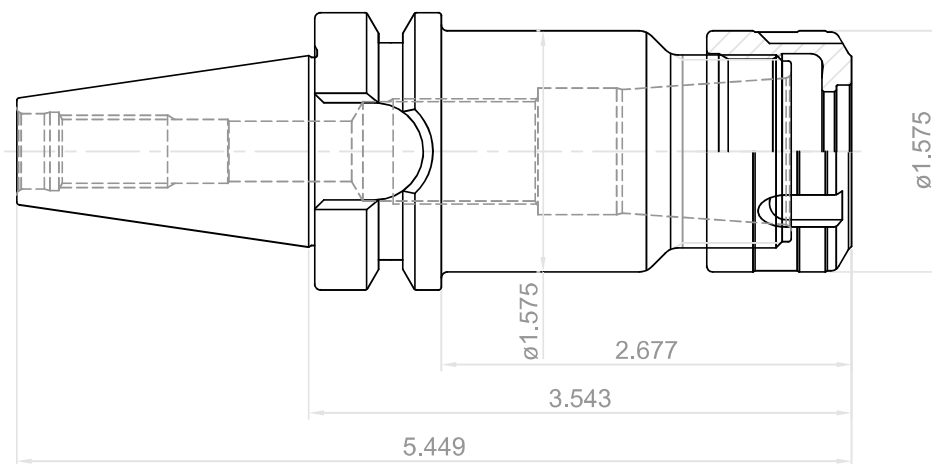


NO.	REVISIONS	DATE	DEVISER
1.			
2.			
3.			



 YG-1 CO., LTD.	DESCRIPTION		
	CBT30-SKA16-3.54(90)		
EDP No.	TD114	SCALE	1 : 1