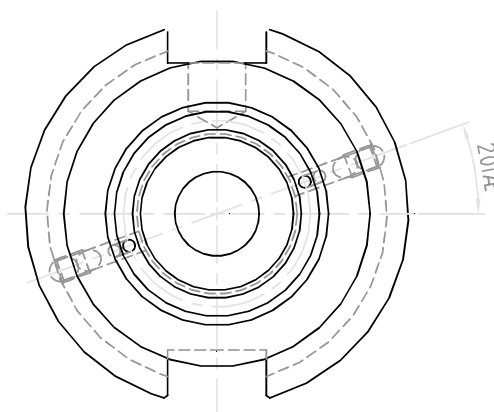
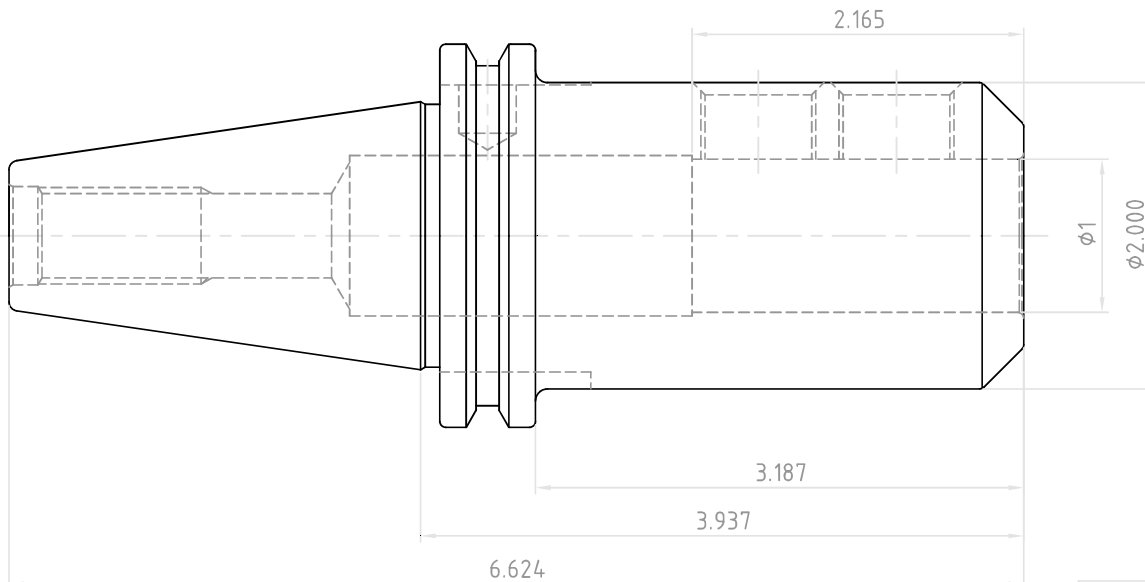
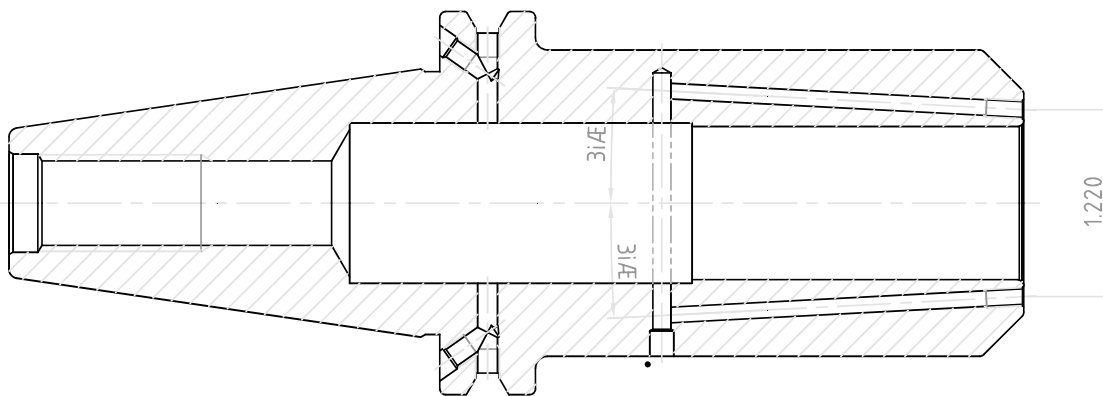



NO.	REVISIONS	DATE	DEVISER
1.			
2.			
3.			



 YG-1 CO., LTD.	DESCRIPTION		
	CAT40AD/B-EMH1(25.4)C-3.94(100)		
EDP No.	AK012C	SCALE	1 : 1