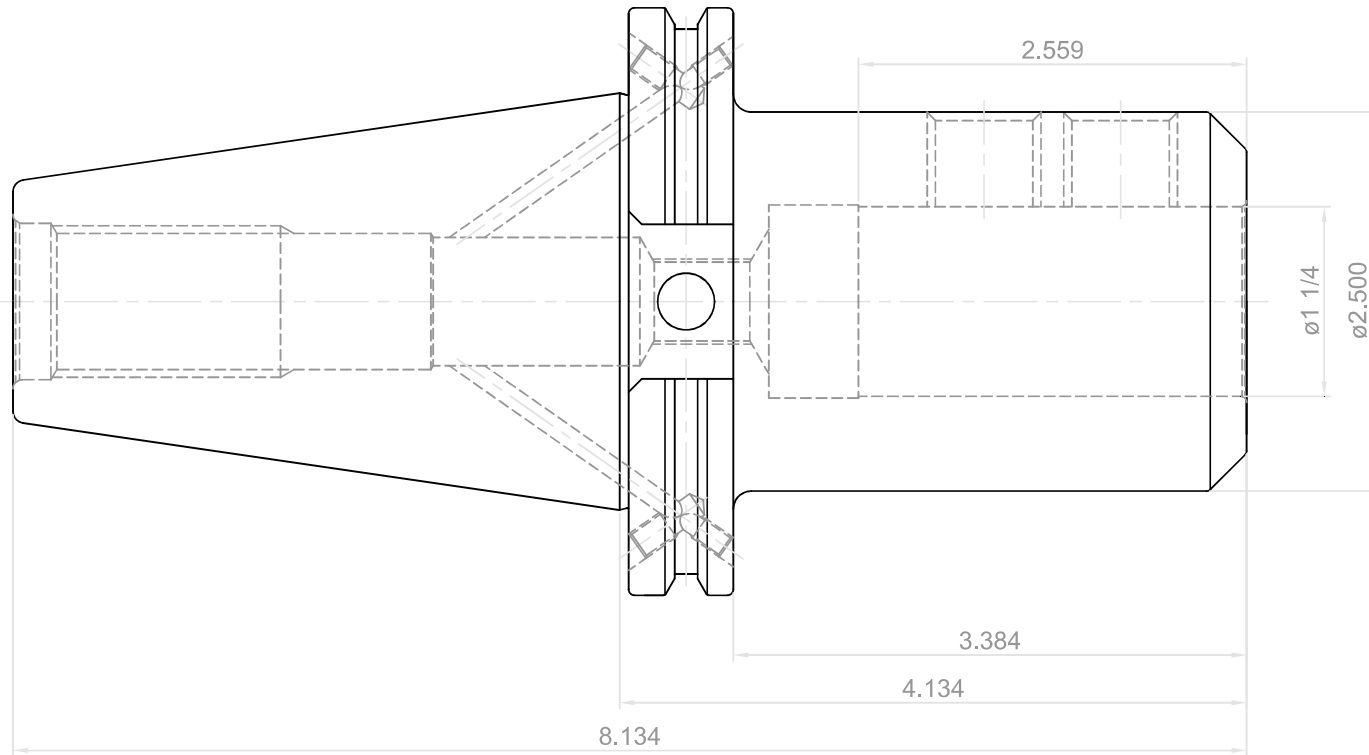



NO.	REVISIONS	DATE	DEVISER
1.			
2.			
3.			



DESCRIPTION	
 YG-1 CO., LTD	CT50AD/B-SLA1 1/4(31.75)-4.13(105)
EDP No.	AC034 SCALE 1 : 1