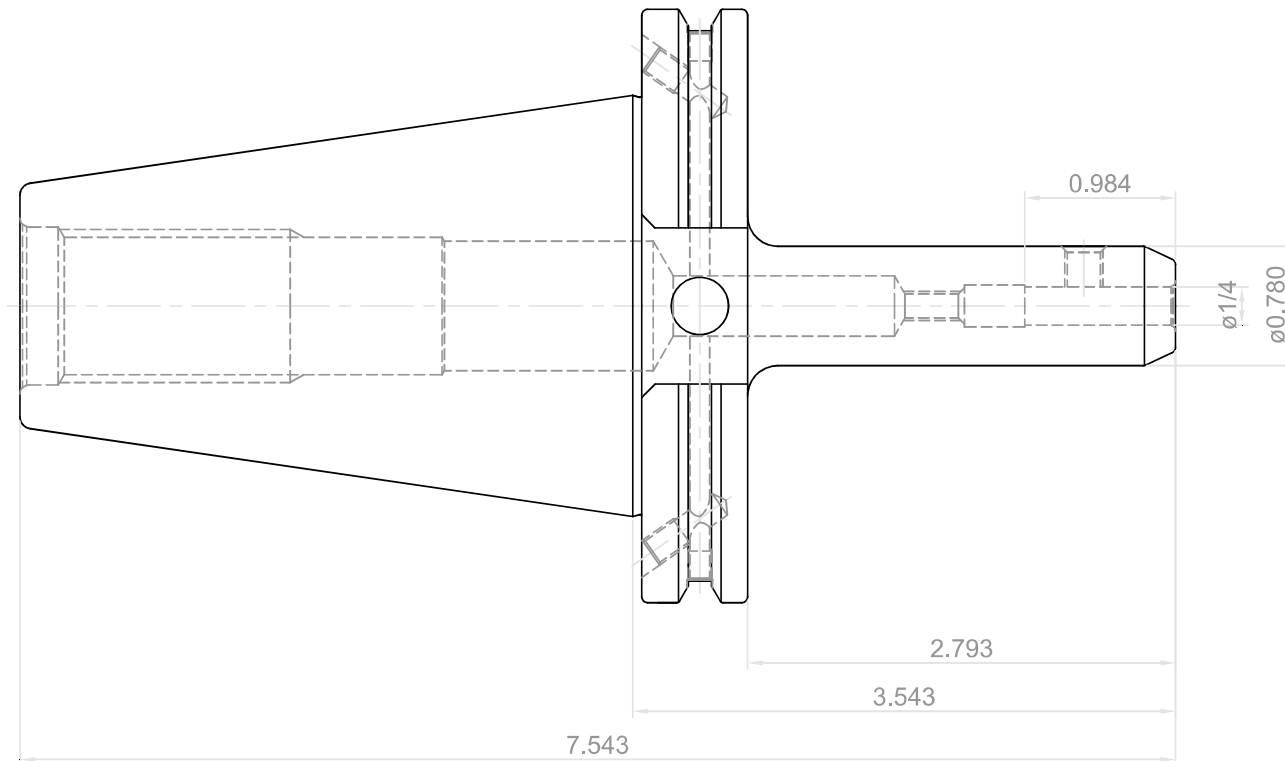



NO.	REVISIONS	DATE	DEVISER
1.			
2.			
3.			



 YG-1 CO., LTD.	DESCRIPTION	
	CCT50AD/B-SLA1/4(6.35)-3.54(90)	
EDP No.	AC020	SCALE 1 : 1