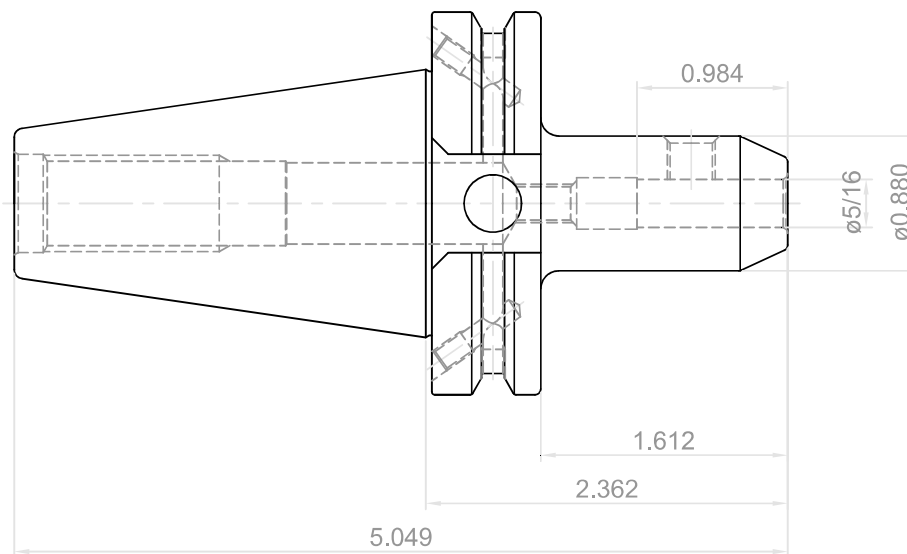



NO.	REVISIONS	DATE	DEVISER
1.			
2.			
3.			



 YG-1 CO., LTD.	DESCRIPTION	
	CCT40AD/B-SLA5/16(7.93)-2.36(60)	
EDP No.	AB022	SCALE 1 : 1