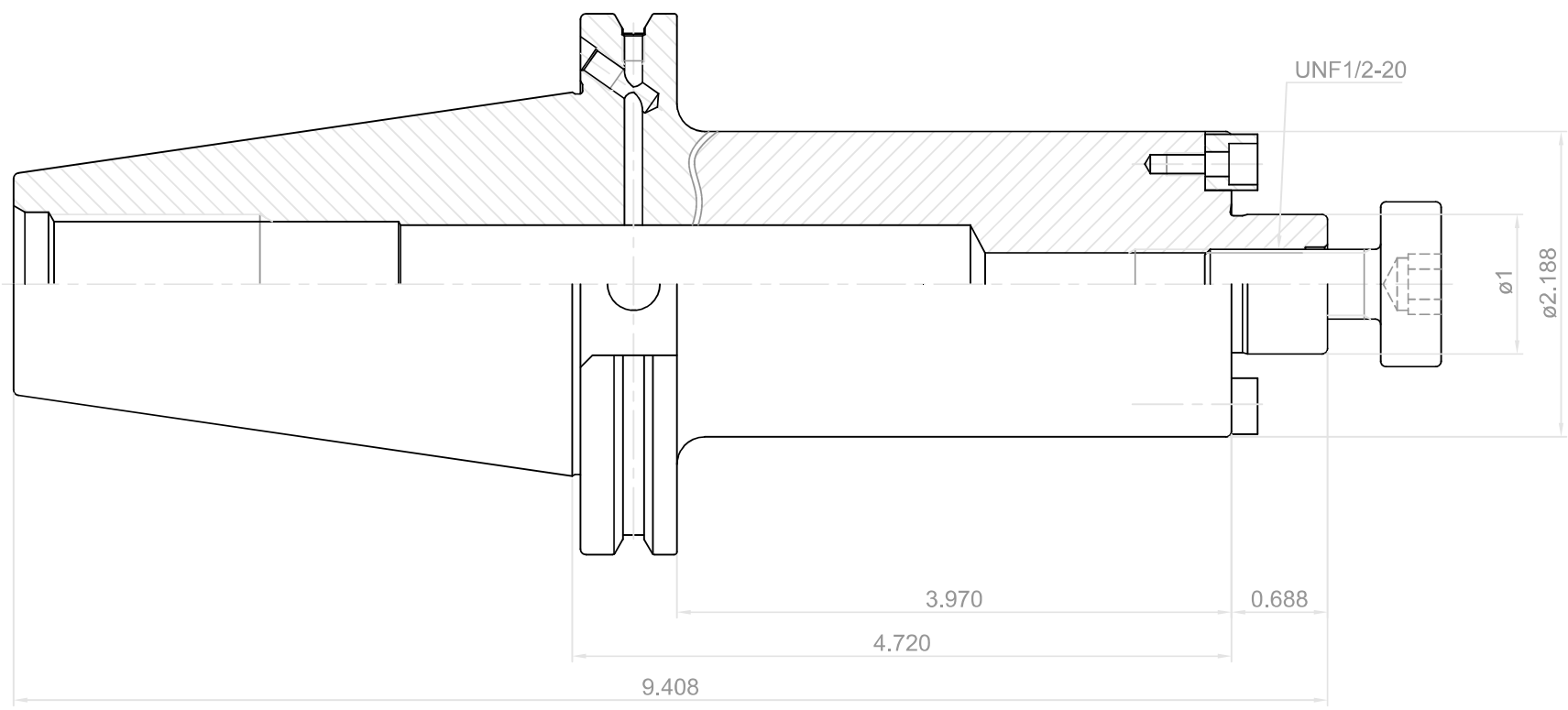



NO.	REVISIONS	DATE	DEVISER
1.			
2.			
3.			



DESCRIPTION	
 YG-1 CO., LTD. CCT50AD/B-SMA1(25.4)-4.72(119.88)	
EDP No.	EC030
SCALE	1 : 1