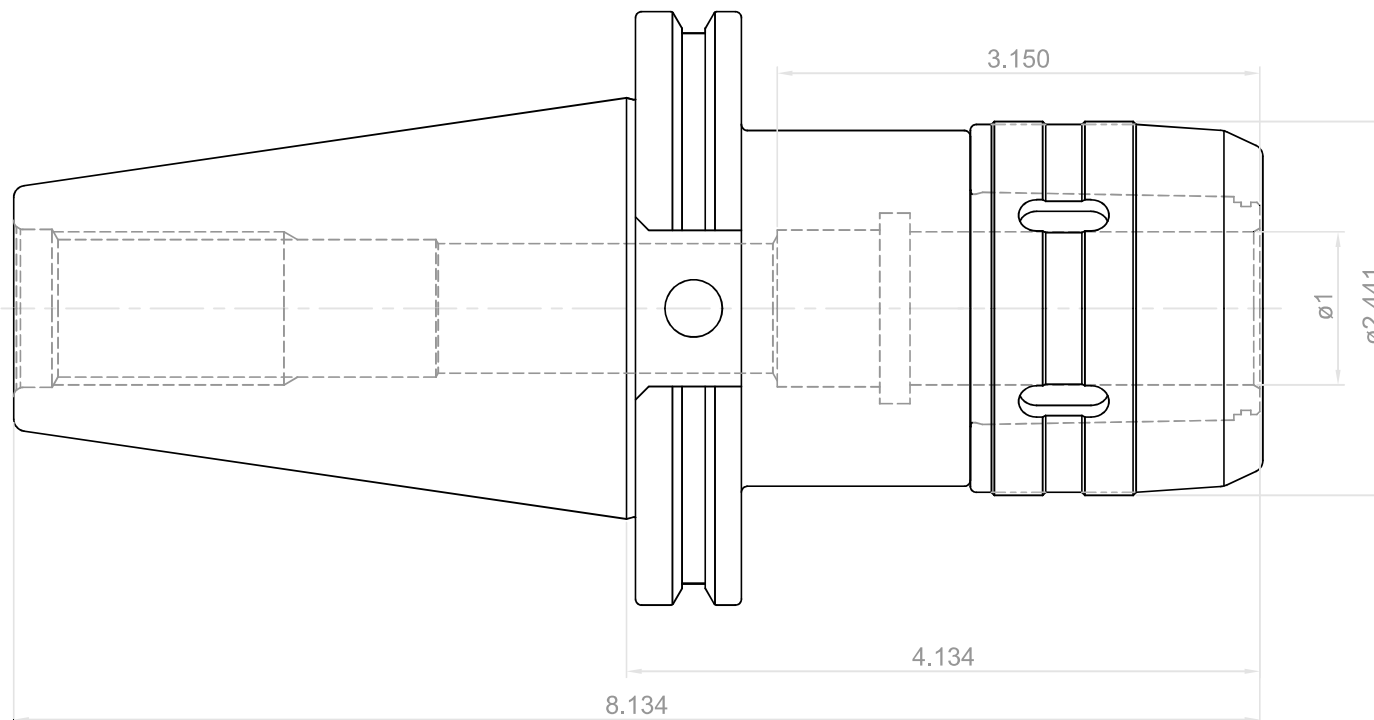


NO.	REVISIONS	DATE	DEVISER
1.			
2.			
3.			



 YG-1 CO., LTD.	DESCRIPTION	
	CCT50-C1(25.4)-4.13(105)HS	
EDP No.	LC022	SCALE 1 : 1