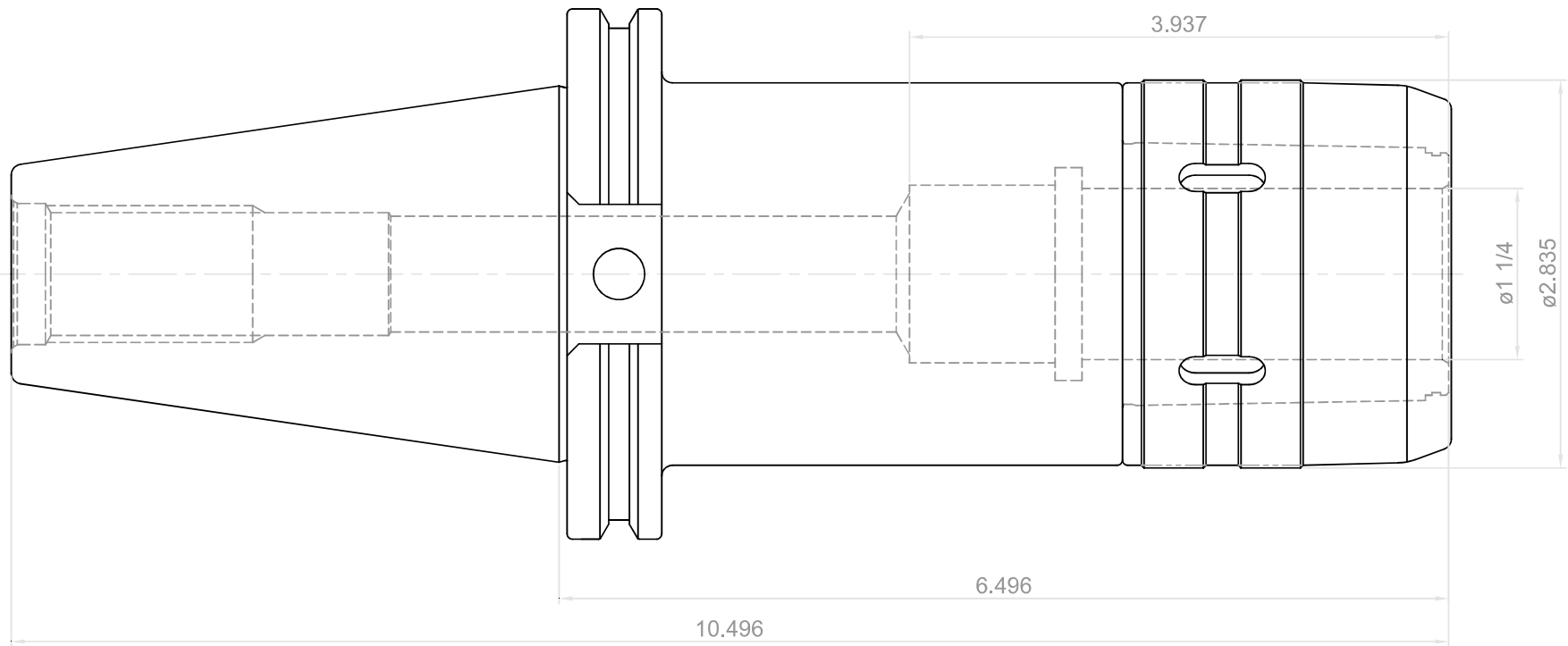


| NO. | REVISIONS | DATE | DEVISER |
|-----|-----------|------|---------|
| 1.  |           |      |         |
| 2.  |           |      |         |
| 3.  |           |      |         |



|  |                                |             |
|--|--------------------------------|-------------|
|  YG-1 CO., LTD. | DESCRIPTION                    |             |
|  | CCT50-C1 1/4(31.75)-6.5(165)HS |             |
| EDP No.  | LC028                          | SCALE 1 : 1 |