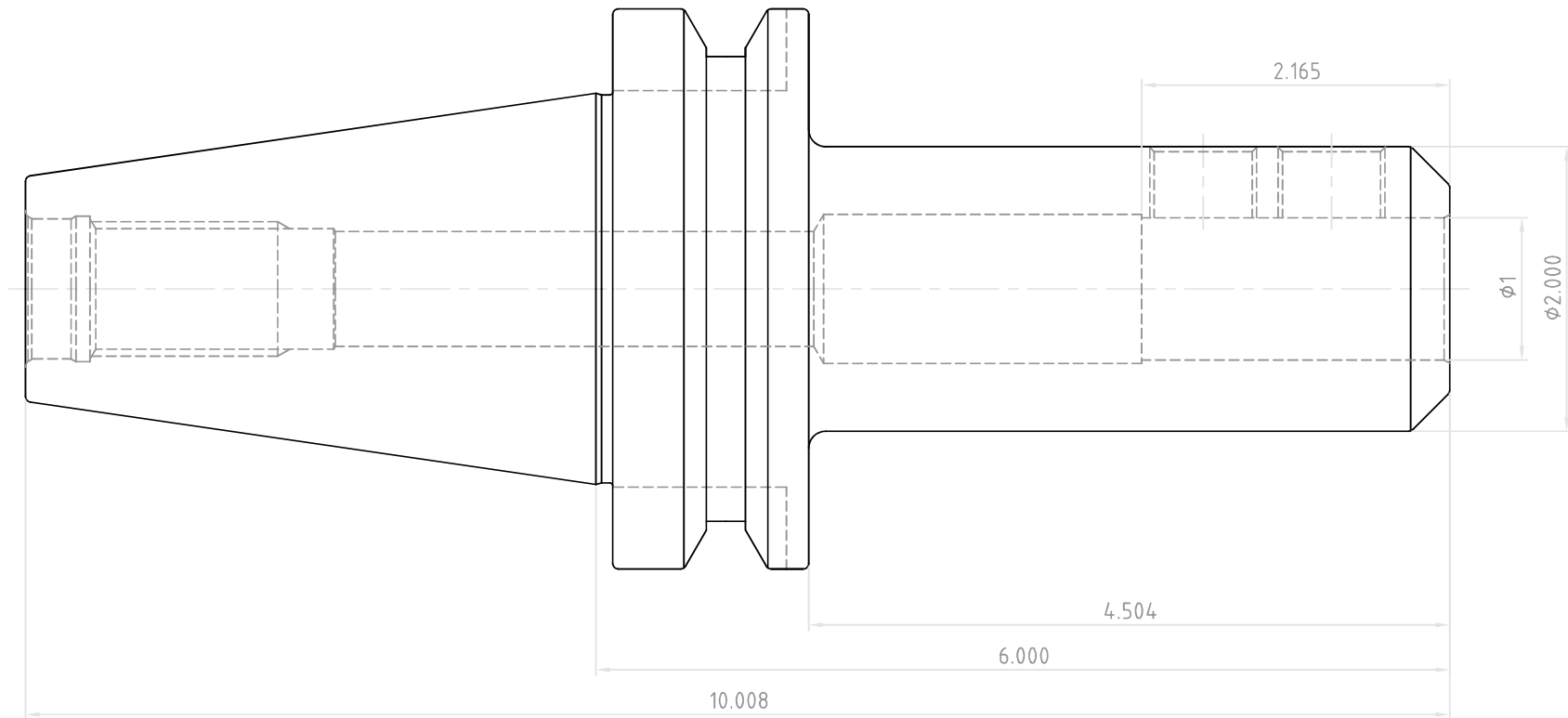



NO.	REVISIONS	DATE	DEVISER
1.			
2.			
3.			



 YG-1 CO., LTD.	DESCRIPTION		
	BT50-EMH1(25.4)-6.00(152.4)		
EDP No.	AI114	SCALE	1 : 1