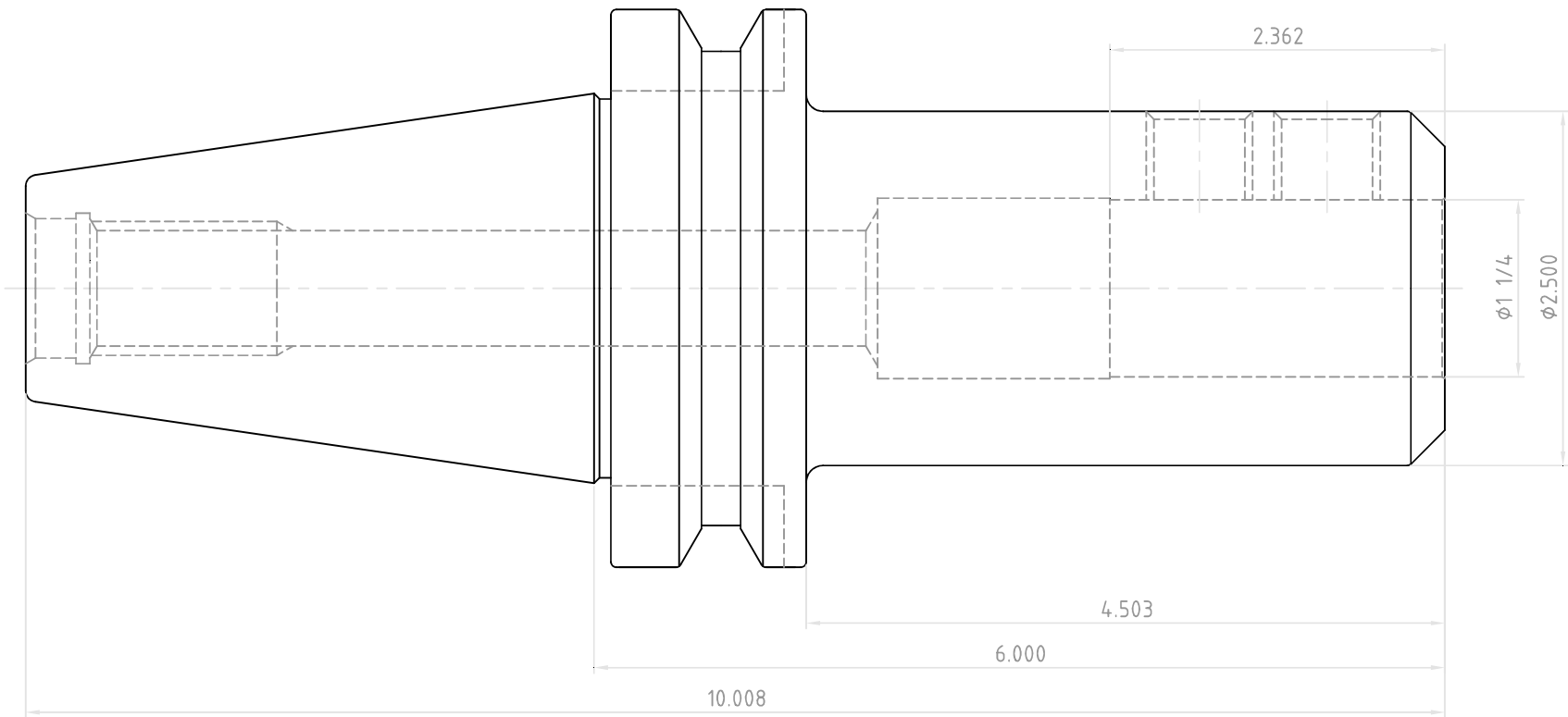



NO.	REVISIONS	DATE	DEVISER
1.			
2.			
3.			



 <b>YG-1 CO., LTD.</b>	DESCRIPTION	
	BT50-EMH1 1/4(31.75)-6.00(152.4)	
	EDP No.	AI117B25
	SCALE	1 : 1