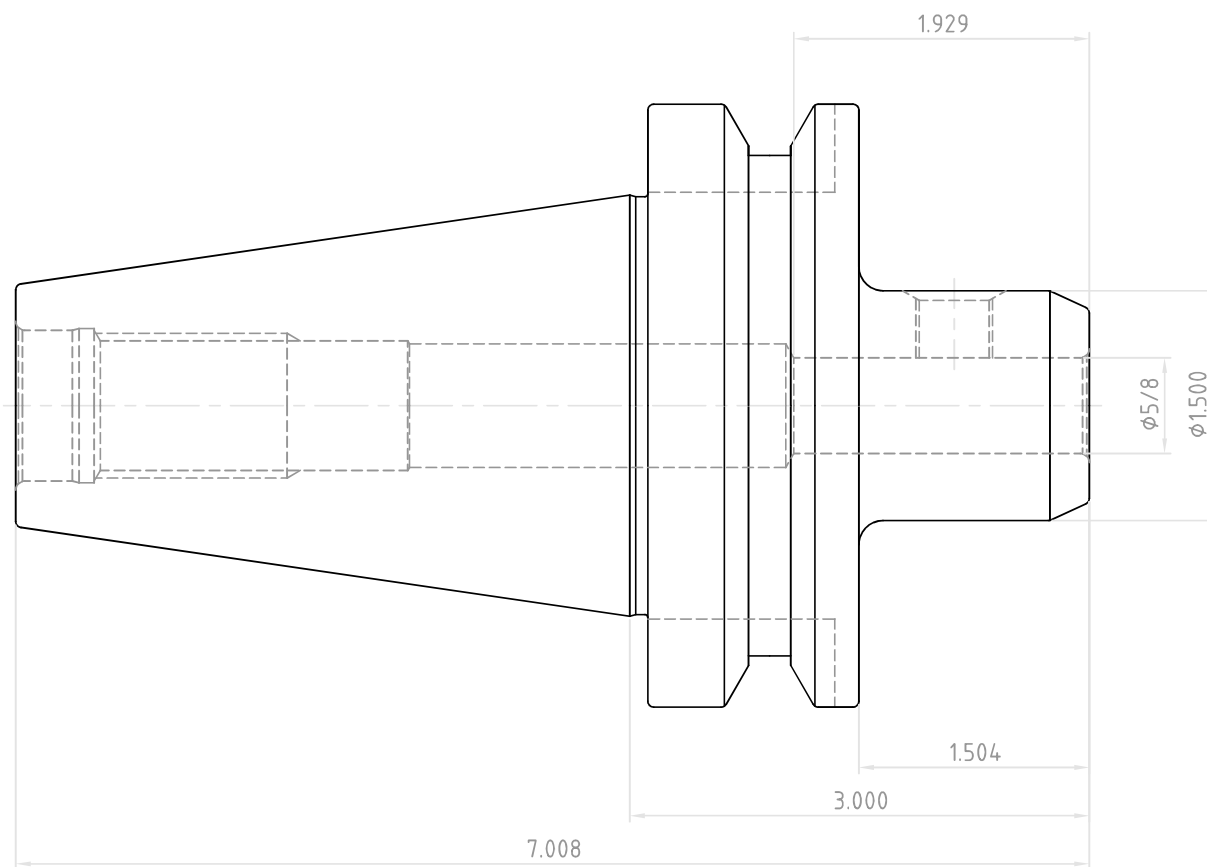



NO.	REVISIONS	DATE	DEVISER
1.			
2.			
3.			



 YG-1 CO., LTD.	DESCRIPTION		
	BT50-EMH5/8(15.87)-3.00(76.2)		
	EDP No.	AI008B25	SCALE 1 : 1