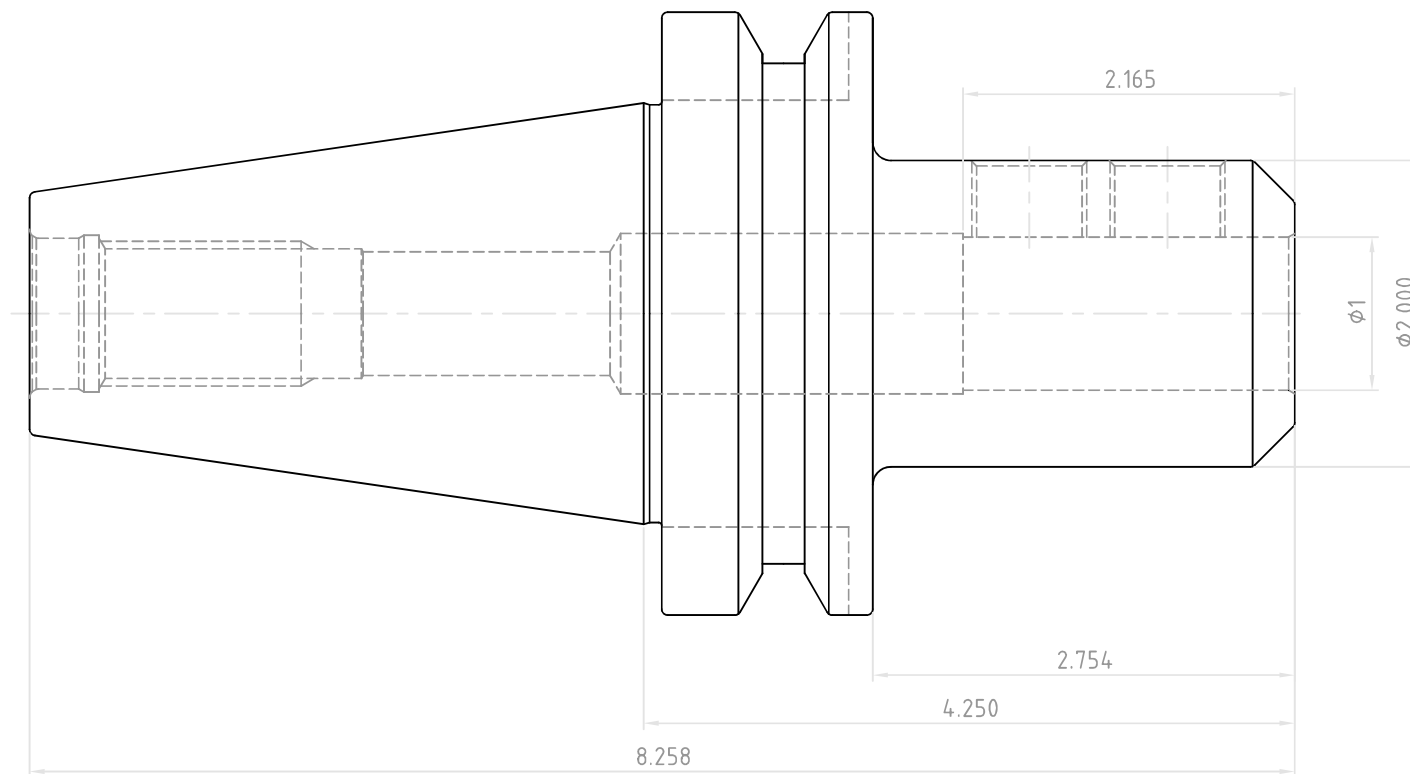



NO.	REVISIONS	DATE	DEVISER
1.			
2.			
3.			



 YG-1 CO., LTD.	DESCRIPTION		
	BT50-EMH1(25.4)-4.25(107.95)		
	EDP No.	AI014B25	SCALE 1 : 1