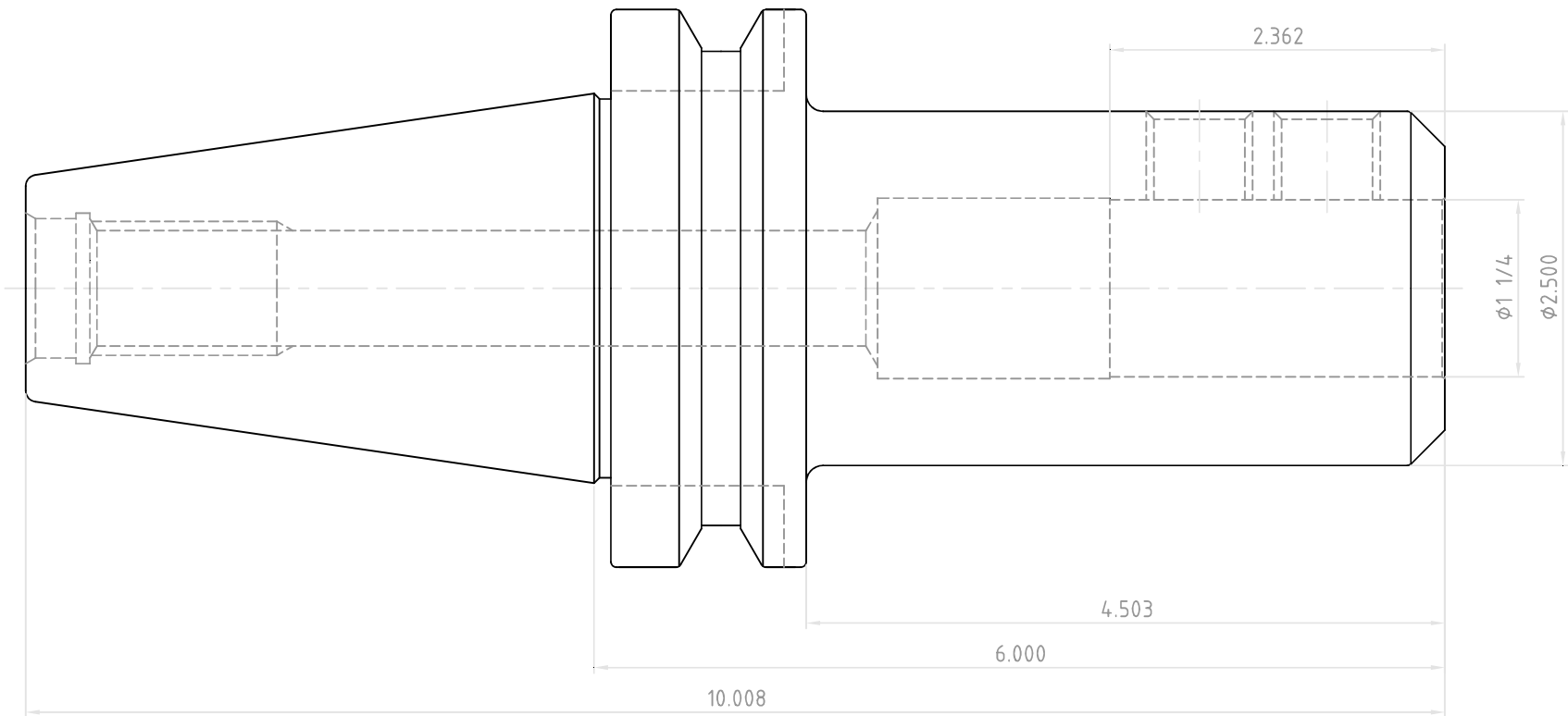



NO.	REVISIONS	DATE	DEVISER
1.			
2.			
3.			



 YG-1 CO., LTD.	DESCRIPTION		
	BT50-EMH1 1/4(31.75)-6.00(152.4)		
	EDP No.	AI117	SCALE 1 : 1