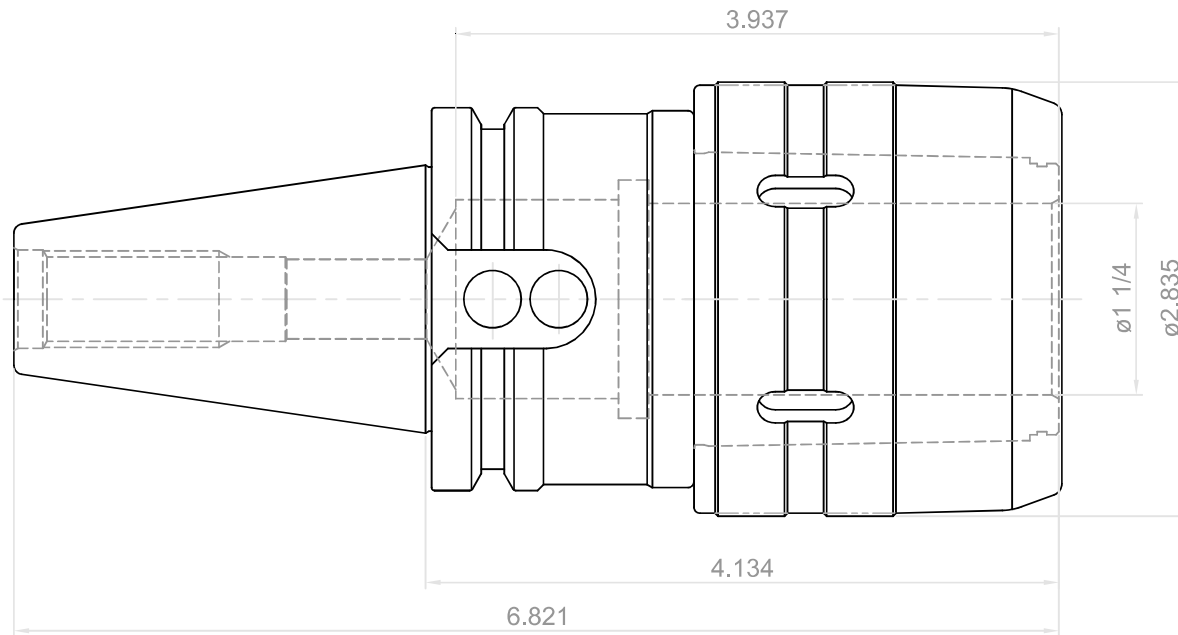


NO.	REVISIONS	DATE	DEVISER
1.			
2.			
3.			



 YG-1 CO., LTD.	DESCRIPTION	
	CCT40-C1 1/4(31.75)-4.13(105)HS	
	EDP No.	LB024
	SCALE	1 : 1