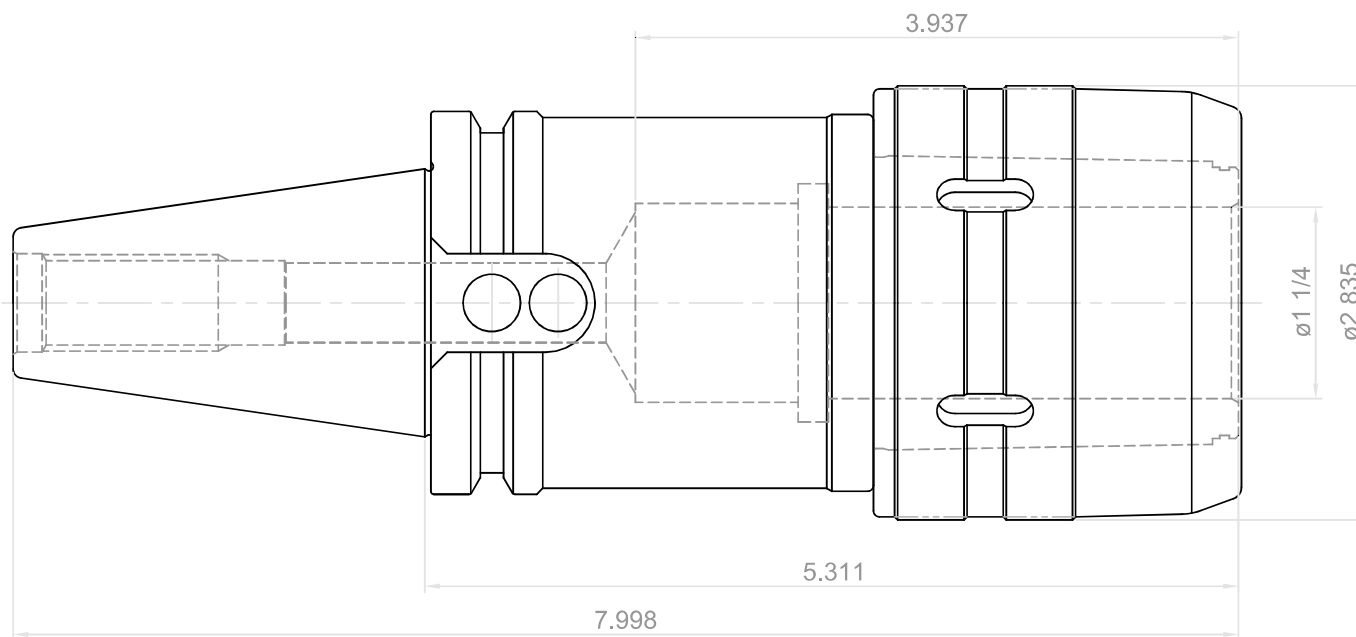


NO.	REVISIONS	DATE	DEVISER
1.			
2.			
3.			



DESCRIPTION	
 YG-1 CO., LTD.	CCT40-C1 1/4(31.75)-5.31(134.9)HS
EDP No.	LB026
SCALE	1 : 1