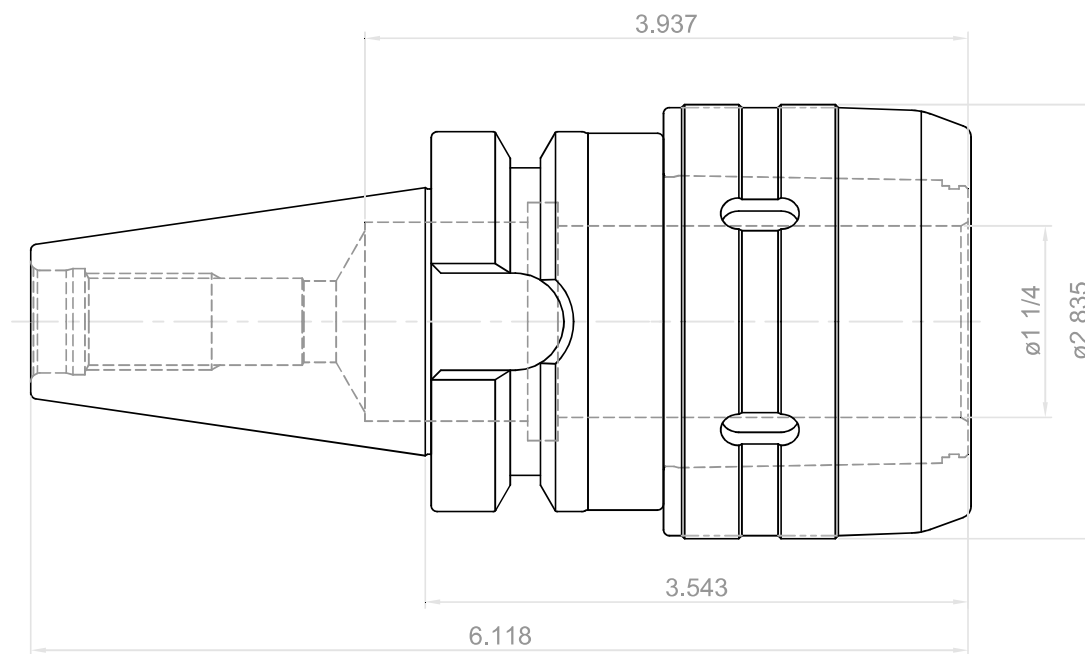


NO.	REVISIONS	DATE	DEVISER
1.			
2.			
3.			



 YG-1 CO., LTD.	DESCRIPTION	
	CBT40-C1 1/4(31.75)-3.54(90)HS	
EDP No.	LE026	SCALE 1 : 1