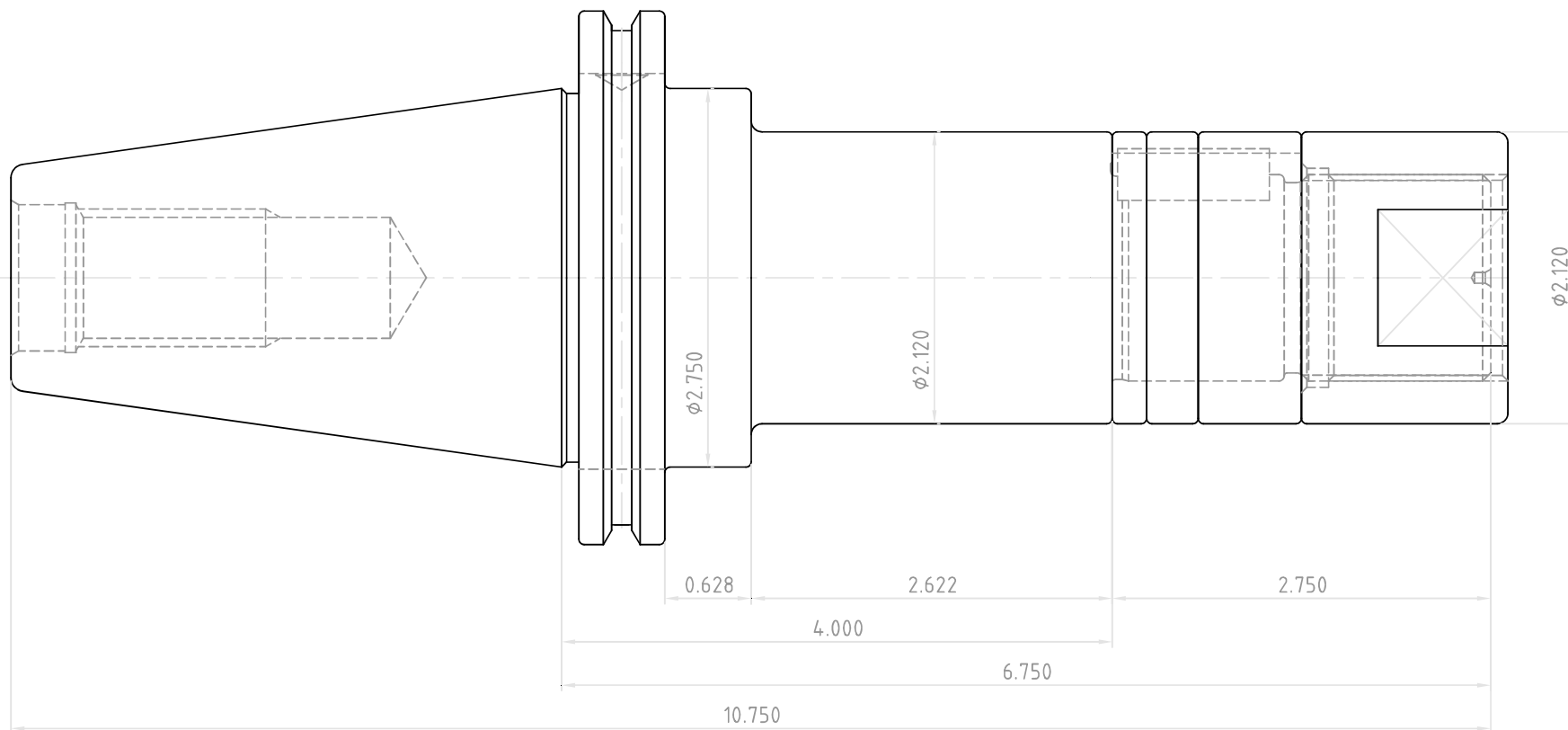


NO.	REVISIONS	DATE	DEVISER
1.			
2.			
3.			



 <b>YG-1 CO., LTD.</b>	DESCRIPTION		
	CAT50-STUB1 1/2(38.1)-4.00(101.6)		
	EDP No.	PL021	SCALE 1 : 1