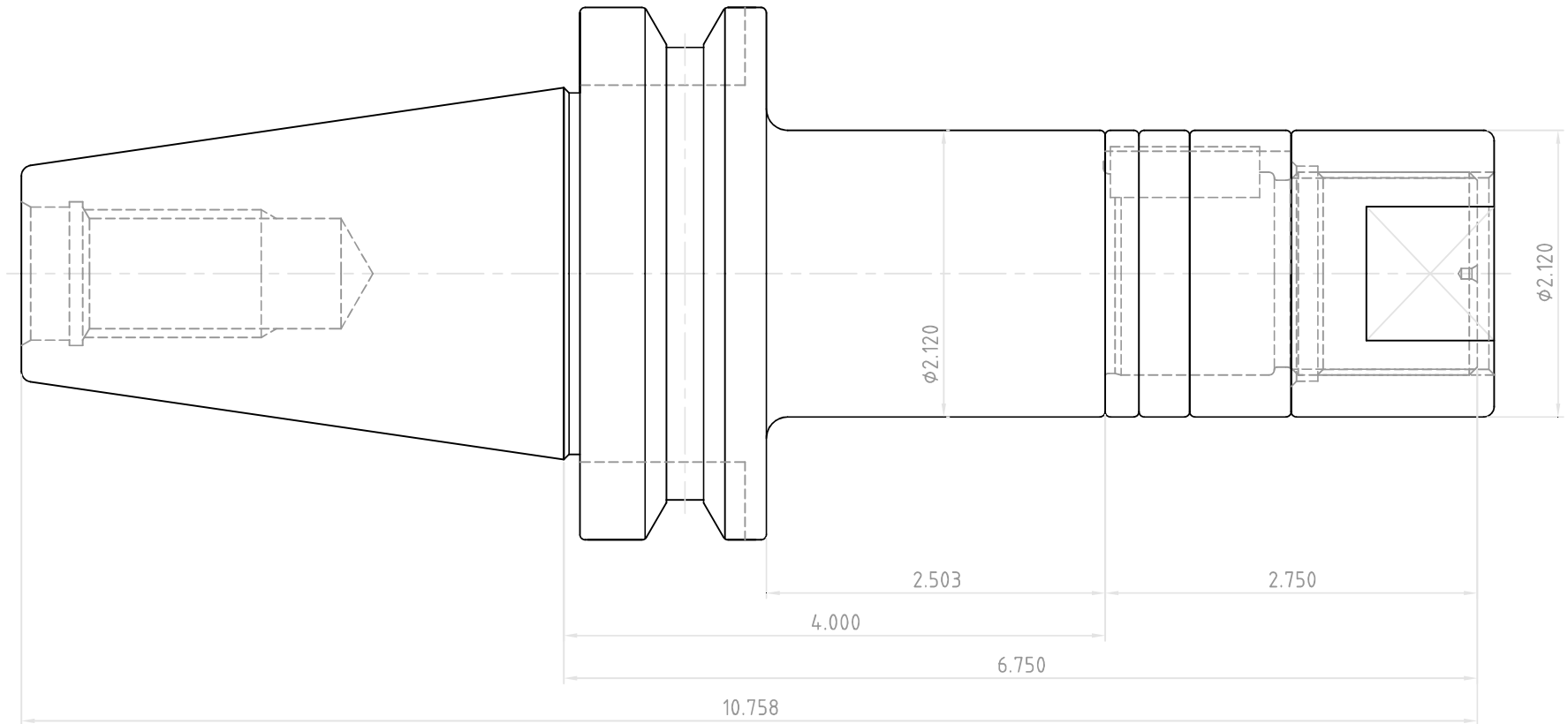



NO.	REVISIONS	DATE	DEVISER
1.			
2.			
3.			



 YG-1 CO., LTD.	DESCRIPTION		
	BT50-STUB1 1/2(38.1)-4.00(101.6)		
	EDP No.	PI021	SCALE 1 : 1