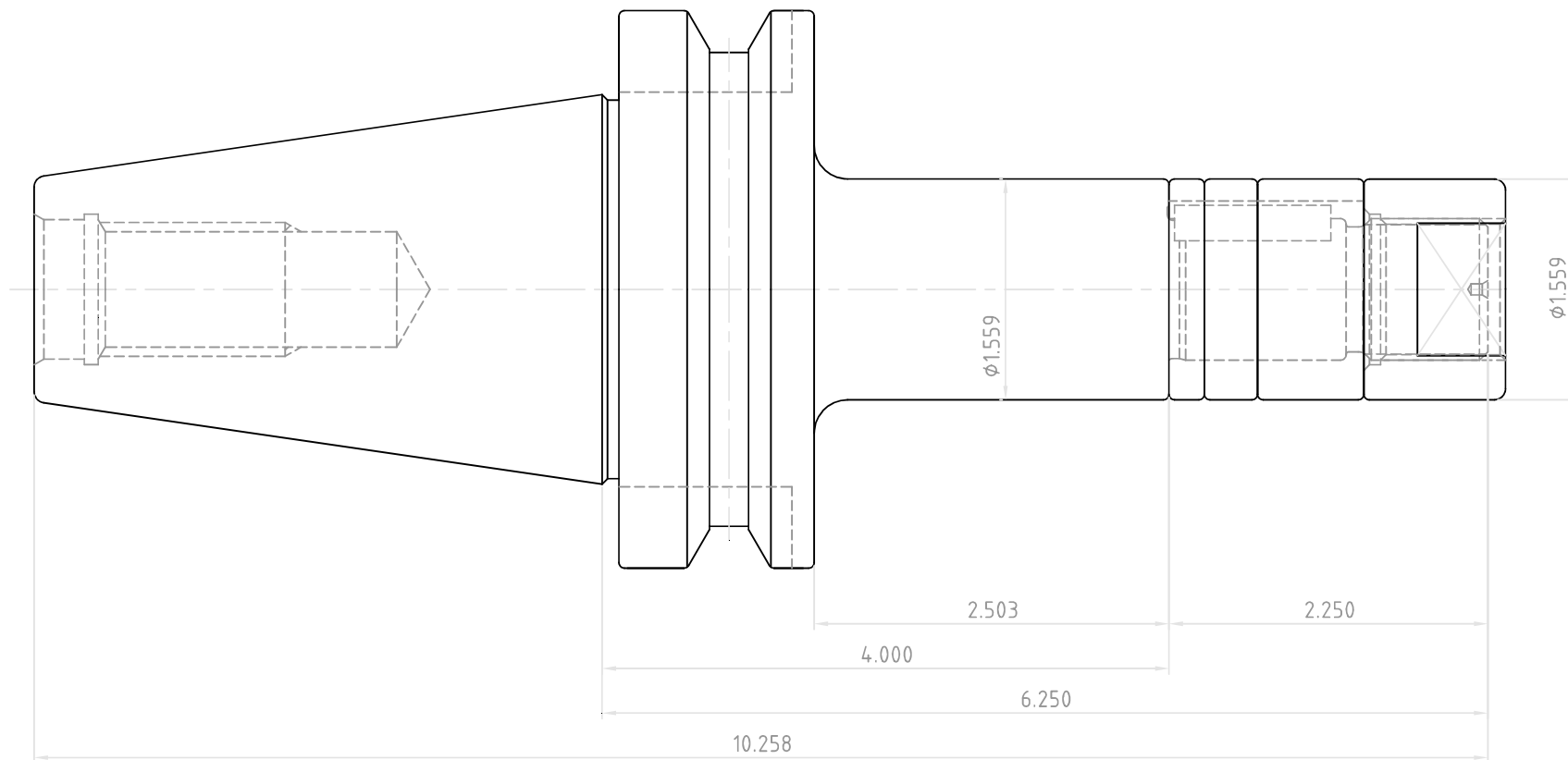



| NO. | REVISIONS | DATE | DEVISER |
|-----|-----------|------|---------|
| 1.  |           |      |         |
| 2.  |           |      |         |
| 3.  |           |      |         |



|  |                              |       |       |
|--|------------------------------|-------|-------|
|  YG-1 CO., LTD. | DESCRIPTION                  |       |       |
|  | BT50-STUB1(25.4)-4.00(101.6) |       |       |
| EDP No.  | PI014                        | SCALE | 1 : 1 |