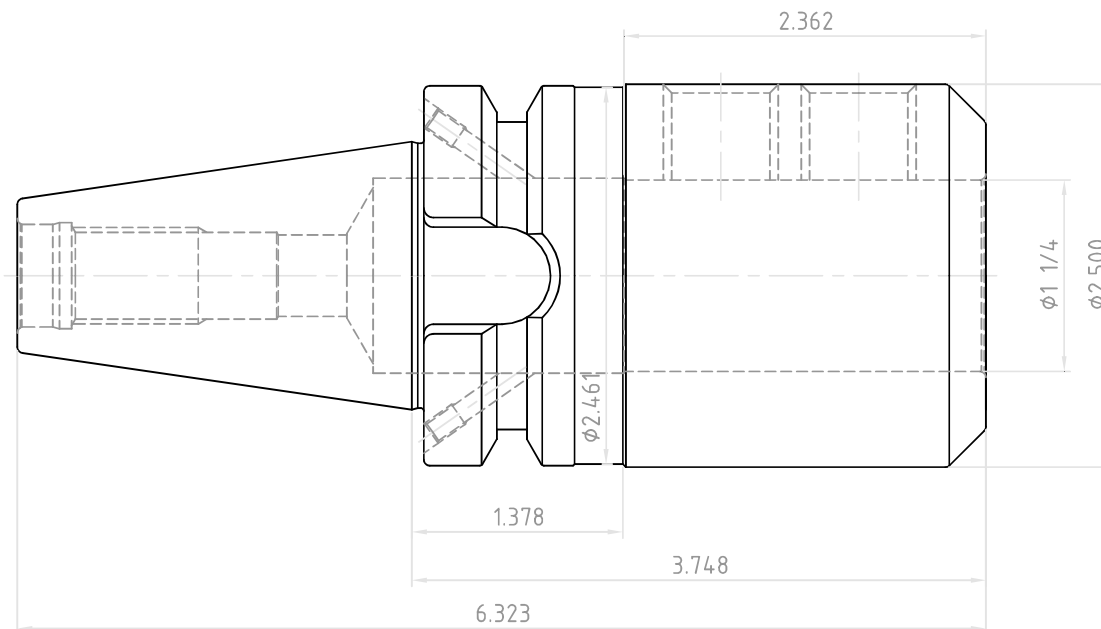



NO.	REVISIONS	DATE	DEVISER
1.			
2.			
3.			



 YG-1 CO., LTD.	DESCRIPTION	
	BT40AD/B-EMH1 1/4(31.75)-3.75(95.2)	
EDP No.	AH017B	SCALE 1 : 1