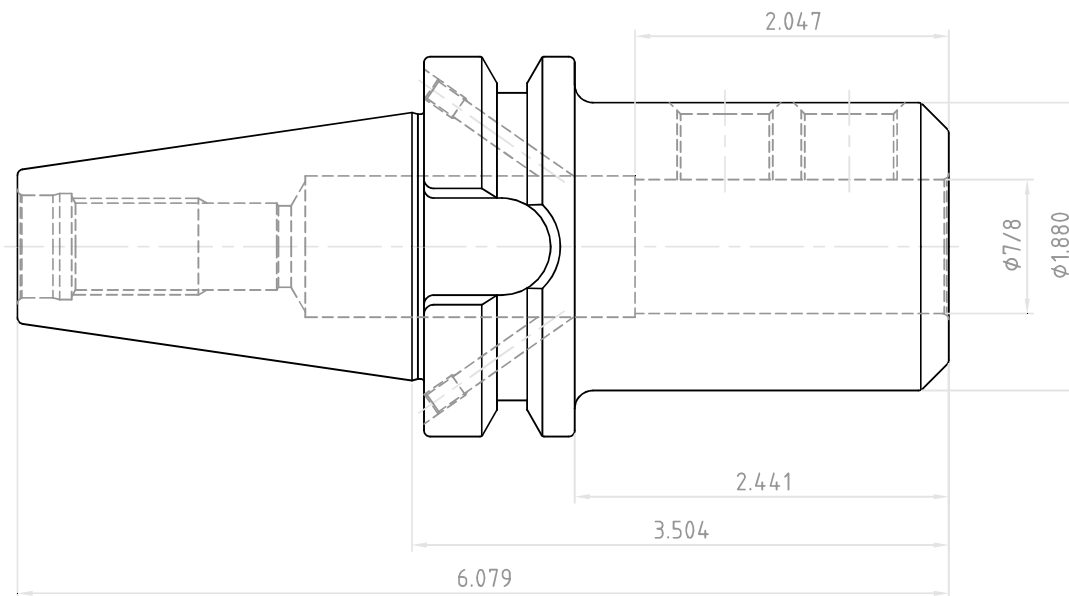



NO.	REVISIONS	DATE	DEVISER
1.			
2.			
3.			



 YG-1 CO., LTD.	DESCRIPTION		
	BT40AD/B-EMH7/8(22.22)-3.50(89)		
	EDP No.	AH012B	SCALE 1 : 1