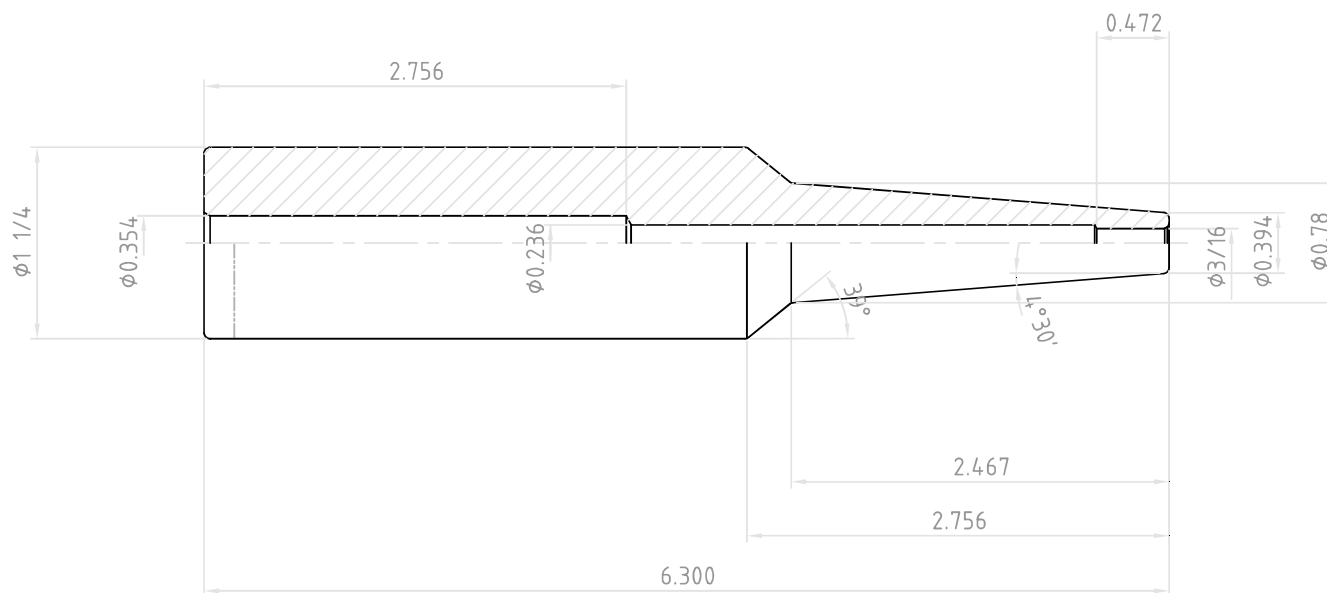



NO.	REVISIONS	DATE	DEVISER
1.			
2.			
3.			



 YG-1 CO., LTD.	SSK CONTROL NUMBER		
	ST1 1/4(31.750)-SFH3/16(4.763)-6.30(160)		
	EDP No.	VS051	SCALE 1 : 1